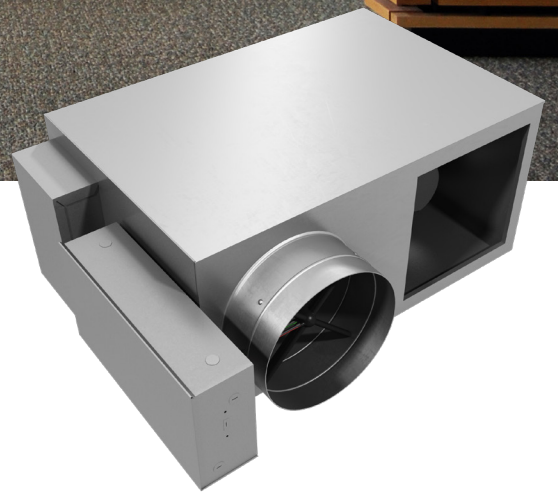


FDV

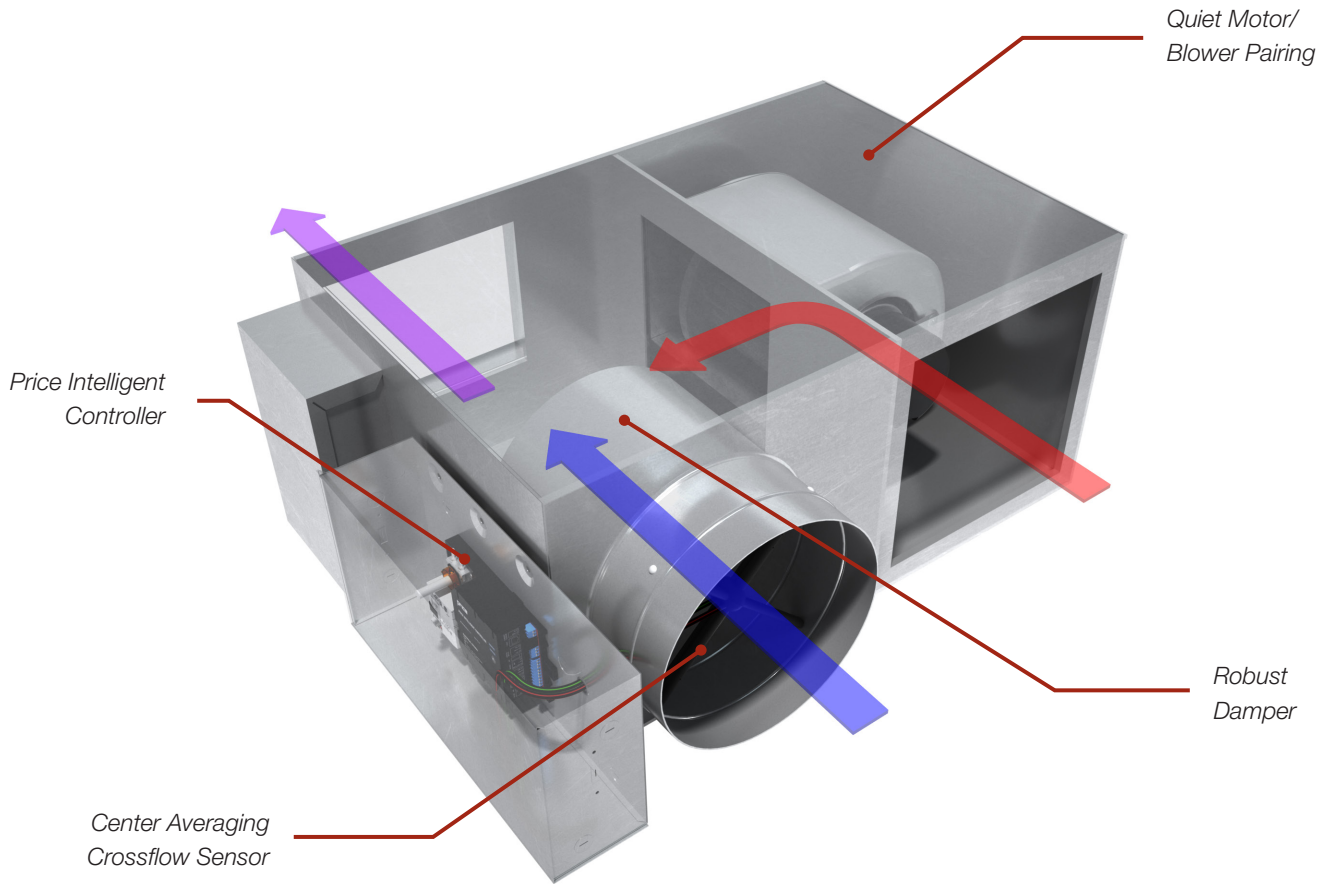
PARALLEL FLOW FAN POWERED TERMINAL UNIT



FDV

Parallel Flow Fan Powered Terminal Unit

The FDV is engineered to be one of the quietest parallel fan powered terminal units on the market. The typical application of the FDV relies on the primary air to meet the cooling demand, similar to a single duct terminal unit. When the controls call for heating, the primary air turns down to its minimum setting, and the fan comes on to pull air from the plenum, mixing it with the primary airflow. The recirculating fan airflow is typically sized at 50% of the maximum primary air valve demand and not operated during cooling mode, though continuous blending applications have gained popularity in certain markets.



VERSATILITY

The FDV provides exceptional versatility with a compact, durable, zinc-coated steel casing designed to reduce ceiling plenum space requirements and provide protection from corrosion. Further flexibility is derived from a complete line of accessories and options to meet specific job requirements in almost any fan powered application.

ATTENUATORS

The FDV is available with inlet and discharge attenuators for a cost-effective solution in applications where additional sound attenuation is required. All FDV attenuators are conveniently available with any of the standard Price liner options.

CONTROLS

Price offers a complete line of controls to best suit any application. For exceptional user comfort, the Price Intelligent Controller (PIC) universal DDC control package is available factory installed and configured on all FDV units. The PIC can be used in conjunction with any Price thermostat, designed with an intuitive and clean user interface for easy adjustment of setpoints and parameters.

LOW PROFILE CONSTRUCTION

The low profile FDV (FDVLP) delivers outstanding performance with the convenience of a low profile casing. With unit height varying from 10.5 in. to 12.5 in., the FDVLP is ideal for applications with building height limits and shallow ceiling plenums.

TYPICAL APPLICATIONS

The FDV terminal unit delivers primary and recirculated airstreams in parallel, with the fan operating intermittently in heating mode. The FDV can operate with constant temperature and variable volume for handling high cooling loads. It is also able to operate with variable temperature and constant volume for heating or light cooling loads.

STANDARD DESIGN

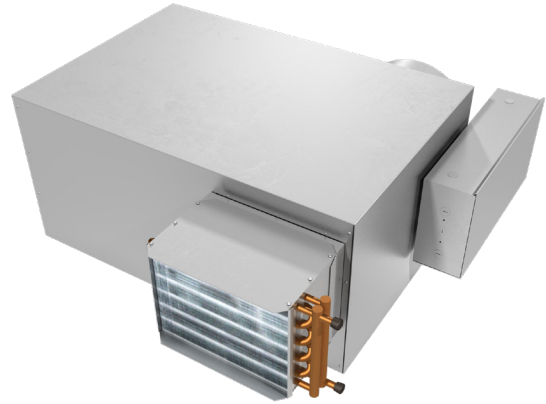
- + Center averaging crossflow sensor for accurate flow measurement
- + 20 GA. casing on larger sizes for added durability
- + Blower access panel for improved field accessibility
- + Backdraft damper for separation of primary and recirculated air
- + Motor vibration isolation

OPTIONAL FEATURES

- + Electric and hot water reheat
- + EC motor
- + Inlet and discharge attenuator sections
- + Multiple liner options
- + MERV 8 and MERV 13 filters
- + Low profile construction (FDVLP)

HOT WATER REHEAT

Price water coils are constructed from high quality materials and are AHRI 410 certified. Designed to optimize heat transfer, water coils are available in high capacity and oversized configurations to meet the requirements of every project. For ease of maintenance, optional access doors are available for upstream or downstream installation with a variety of fastening choices.



VALVE PACKAGES

Hot water coils are available with a factory leak-tested valve package for simplicity and ease of installation. Each valve package is available with the following options:

- + 2-way or 3-way valves
- + Manual or automatic balancing valve
- + TCV supplied by Price or supplied by others and factory mounted
- + 1/2 in. or 3/4 in. piping package diameter

ELECTRIC REHEAT

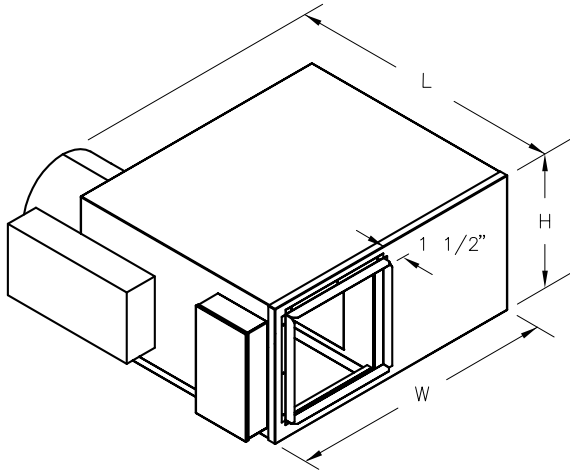
Price electric coils are factory mounted, ETL listed to meet electrical safety standards, and comply with CSA 236/UL 1995. Fan powered electric heaters are a side-mounted, slide-in style, specifically designed to mount on the terminal discharge, allowing for easy field maintenance. Thermal safety switches and fan interlocked heating elements are supplied to ensure safe operation.



ACCESSORIES

A variety of additional accessories are offered to meet specific job requirements. For additional information on these accessories please refer to the Terminal Units Accessories catalog.

DIMENSIONAL DATA

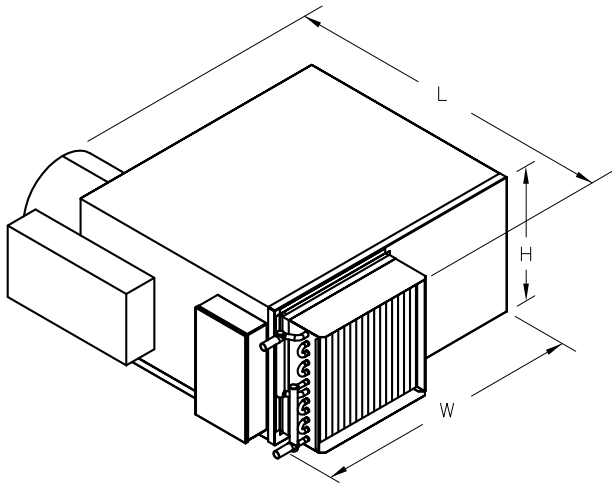


FDV Basic Box

Size	Length (L)	Width (W)	Height (H)
20	35 in.	31 in.	17 1/2 in.
30			
40	39 in.	35 in.	20 in.
50	44 1/2 in.	42 1/4 in.	
60	45 3/4 in.		

Notes:

1. Inlet size 14 or 16 add 2 in. to length.

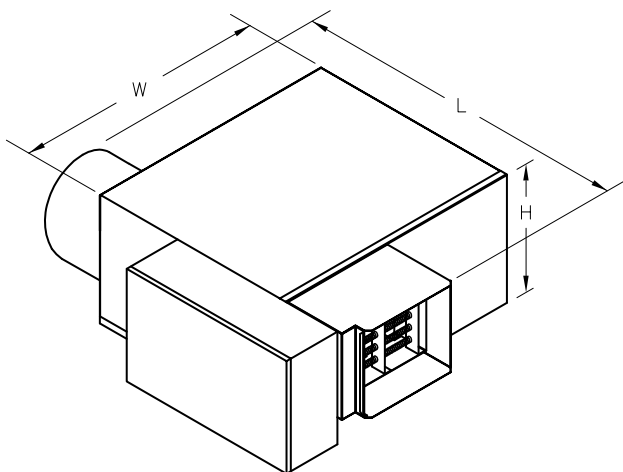


FDV w/ Water Coil

Size	Length (L)	Width (W)	Height (H)
20	41 in.	31 in.	17 1/2 in.
30			
40	45 in.	35 in.	20 in.
50	50 1/2 in.	42 1/4 in.	
60	51 3/4 in.		

Notes:

1. Inlet size 14 or 16 add 2 in. to length.
2. High Capacity Water Coil add 3 in. to length.



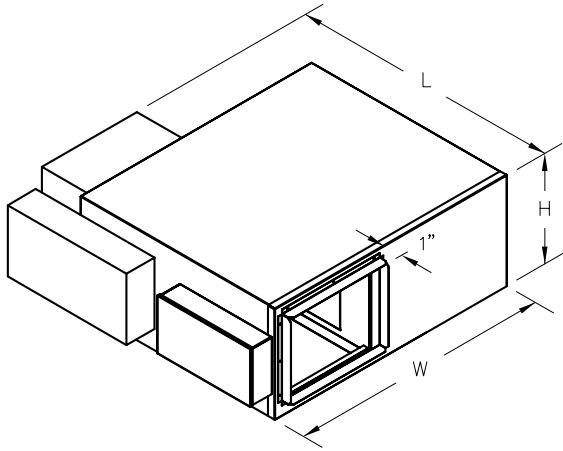
FDV w/ Electric Coil

Size	Length (L)	Width (W)	Height (H)
20	45 5/8 in.	31 in.	17 1/2 in.
30			
40	49 5/8 in.	35 in.	20 in.
50	55 1/8 in.	42 1/4 in.	
60	56 3/8 in.		

Notes:

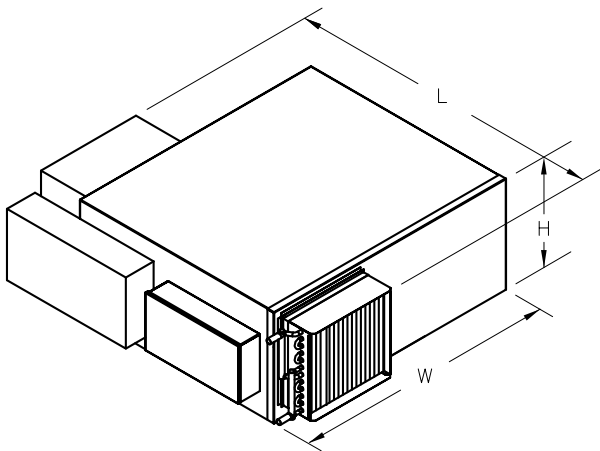
1. Inlet size 14 or 16 add 2 in. (51 mm) to length.

DIMENSIONAL DATA



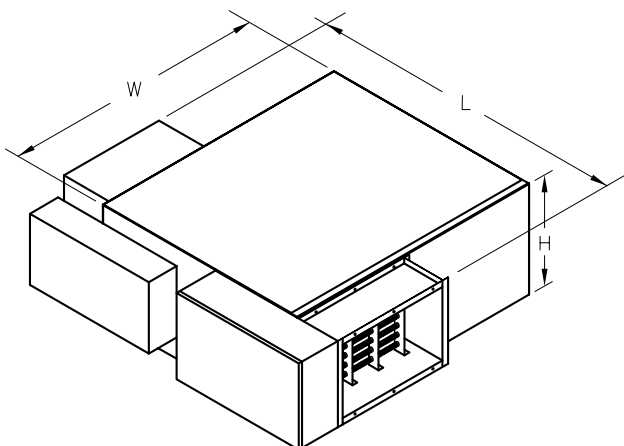
FDVLP Basic Box

Size	Length (L)	Width (W)	Height (H)
20	33 1/2 in.	31 1/2 in.	10 1/2 in.
30	42 1/2 in.	39 in.	
40	45 1/2 in.	42 3/4 in.	12 1/2 in.



FDVLP w/ Water Coil

Size	Length (L)	Width (W)	Height (H)
20	39 1/2 in.	31 1/2 in.	10 1/2 in.
30	48 1/2 in.	39 in.	
40	51 1/2 in.	42 3/4 in.	12 1/2 in.



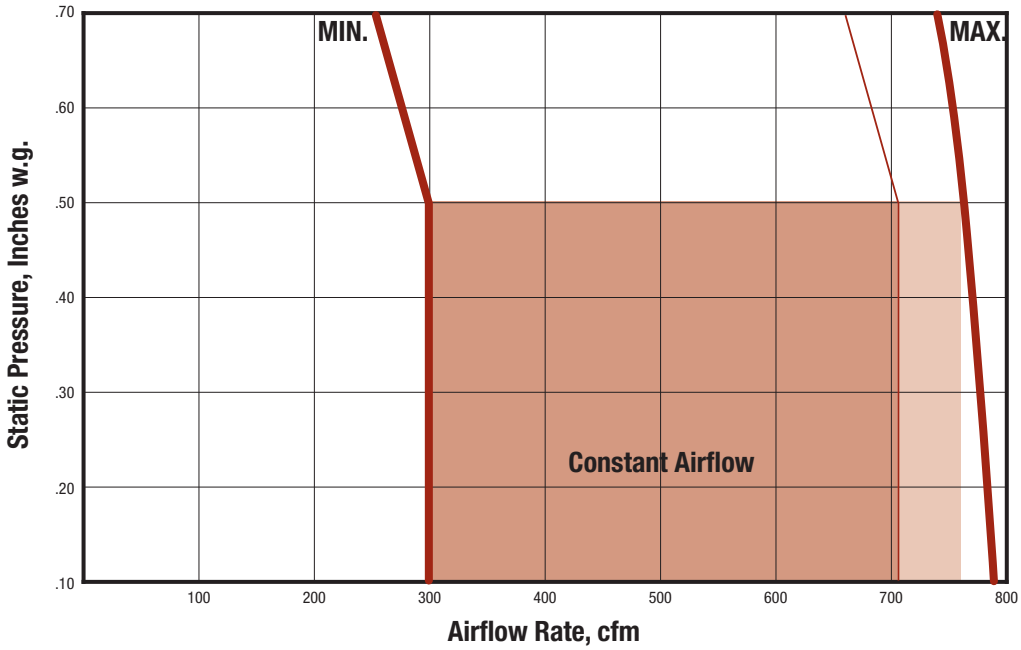
FDVLP w/ Electric Coil

Size	Length (L)	Width (W)	Height (H)
20	41 3/8 in.	31 1/2 in.	10 1/2 in.
30	50 3/8 in.	39 in.	
40	53 3/8 in.	42 3/4 in.	12 1/2 in.

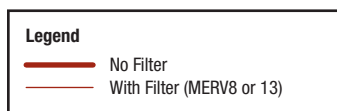
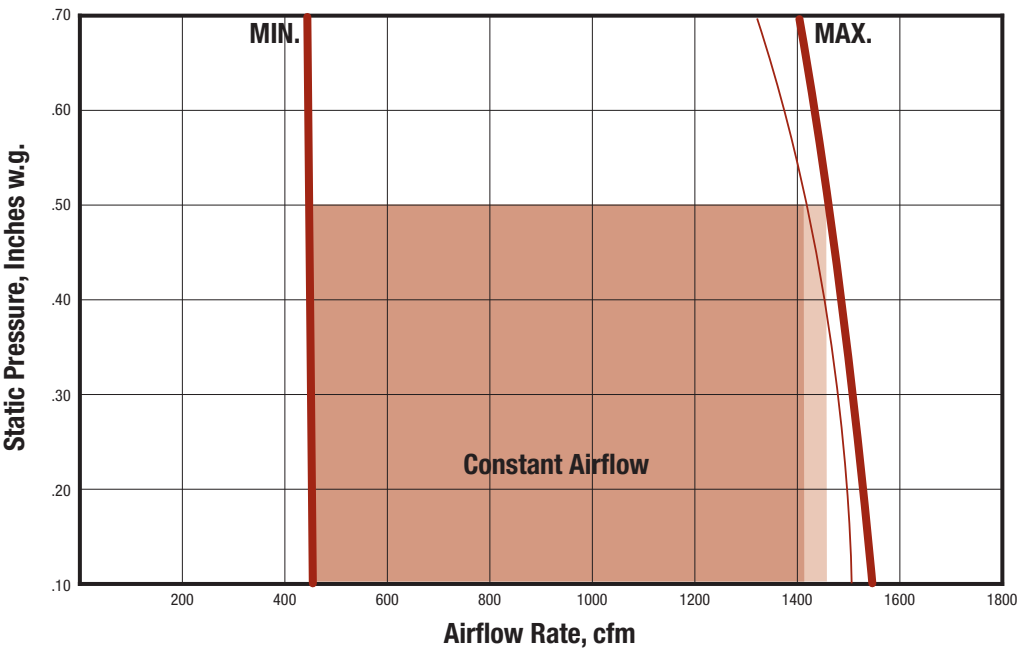
PERFORMANCE DATA

FDV – Fan Performance Curves – ECM Motor

Unit Size 20 – No Coil, 1 and 2 Row Coil



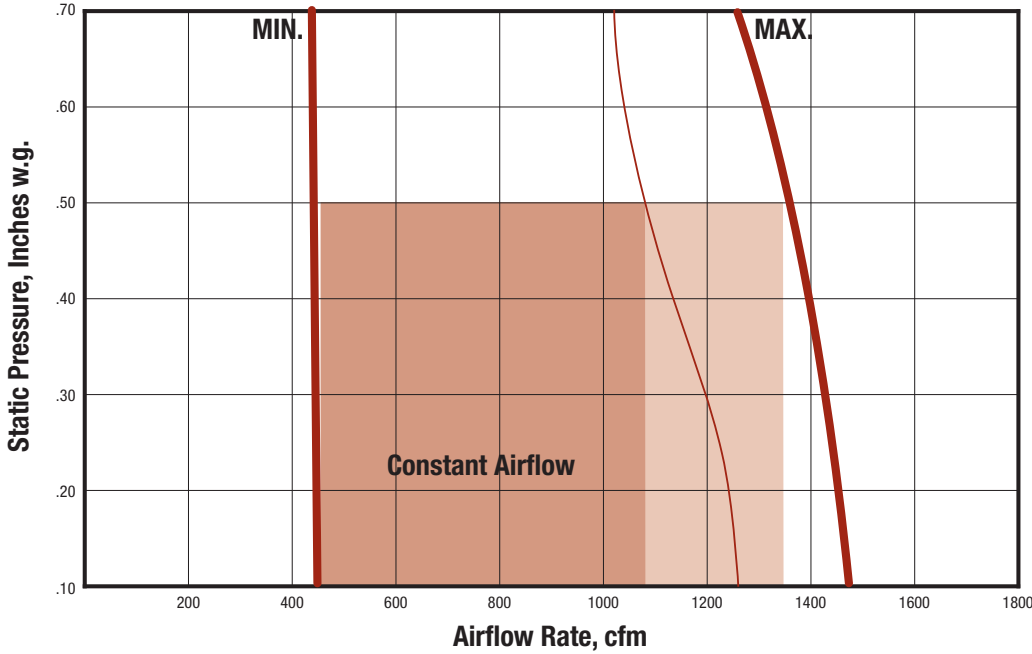
Unit Size 30 – No Coil



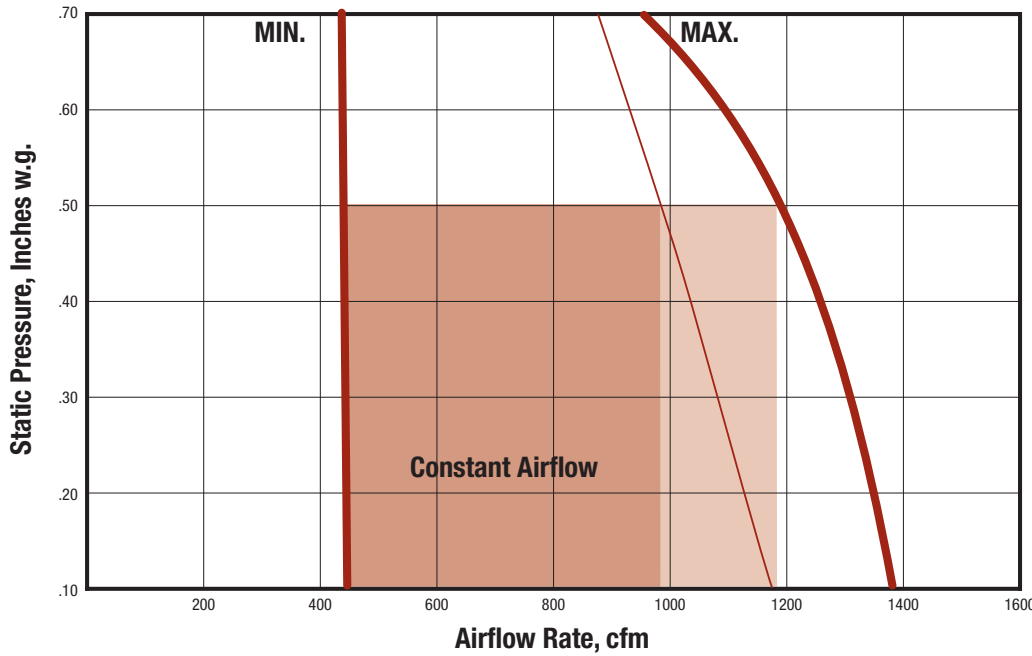
PERFORMANCE DATA

FDV – Fan Performance Curves – ECM Motor

Unit Size 30 – 1 Row Coil



Unit Size 30 – 2 Row Coil



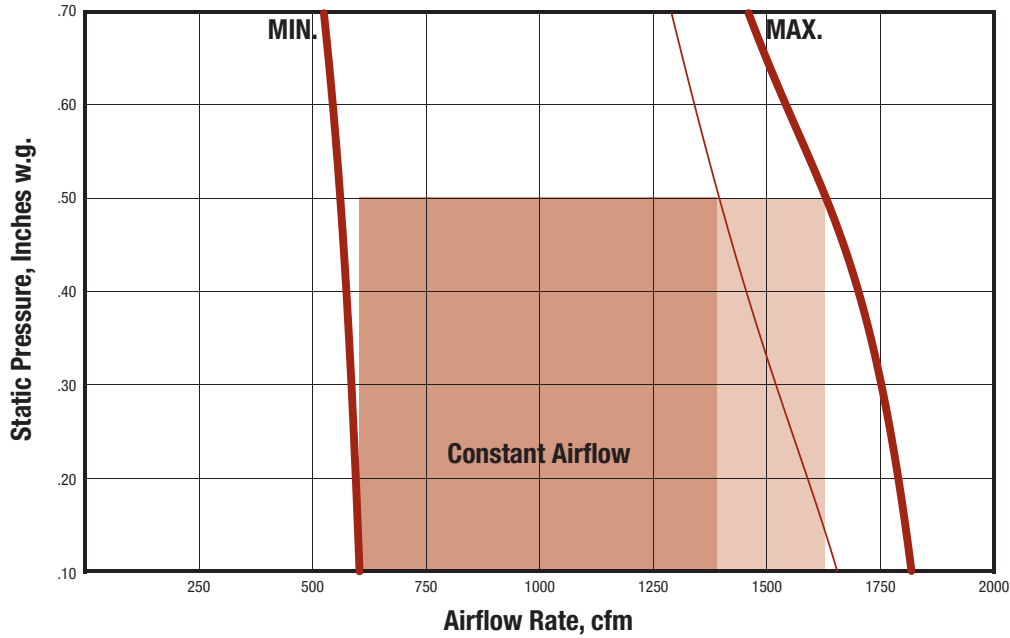
Legend

- No Filter
- With Filter (MERV8 or 13)

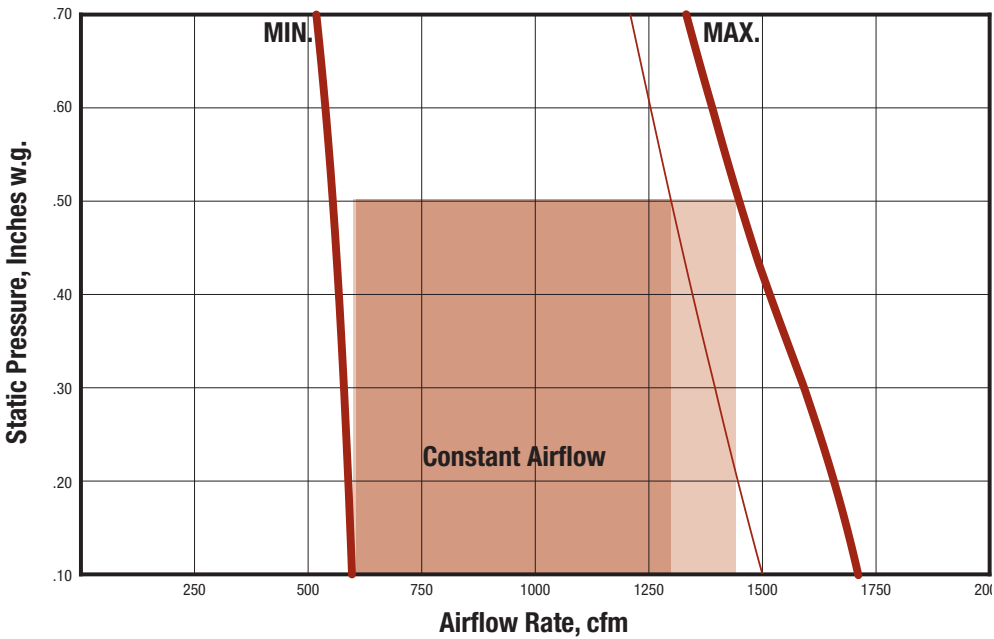
PERFORMANCE DATA

FDV – Fan Performance Curves – ECM Motor

Unit Size 40 – No Coil



Unit Size 40 – 1 Row Coil

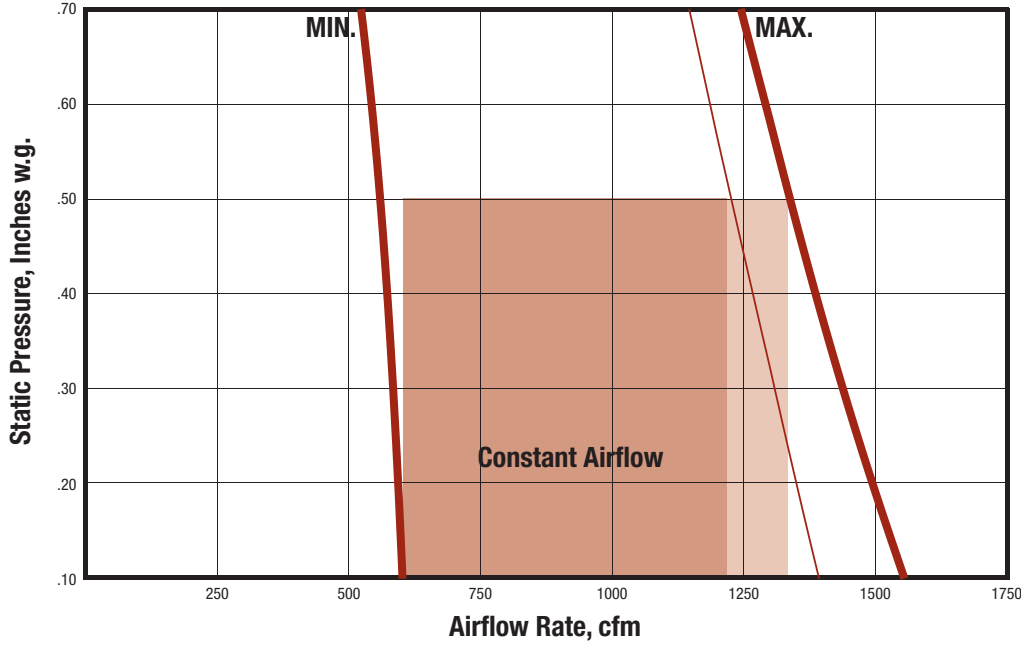


Legend	
	No Filter
	With Filter (MERV8 or 13)

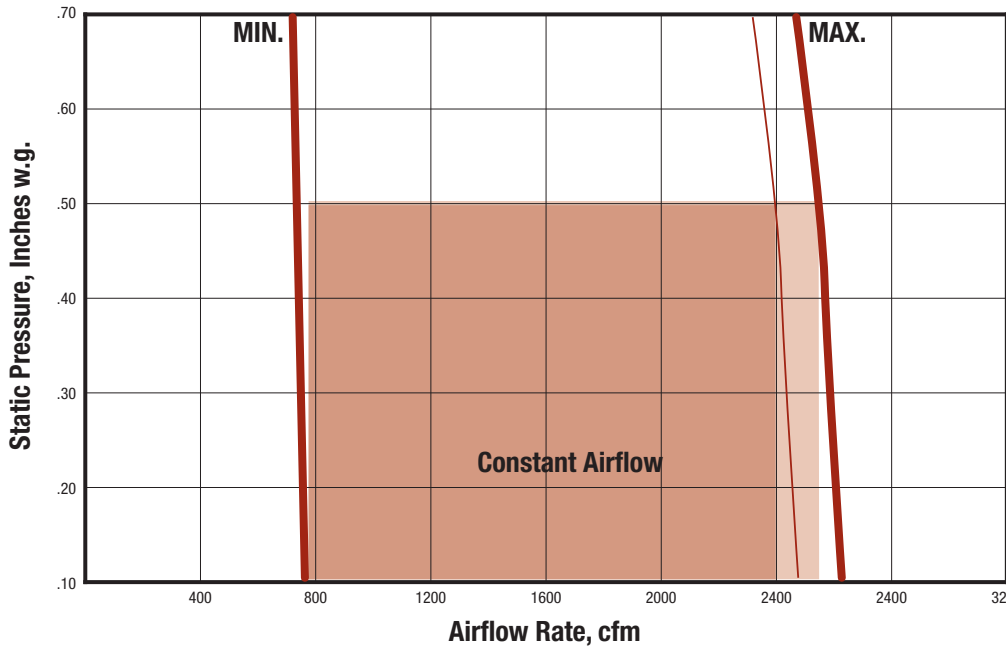
PERFORMANCE DATA

FDV – Fan Performance Curves – ECM Motor

Unit Size 40 – 2 Row Coil



Unit Size 50 – No Coil

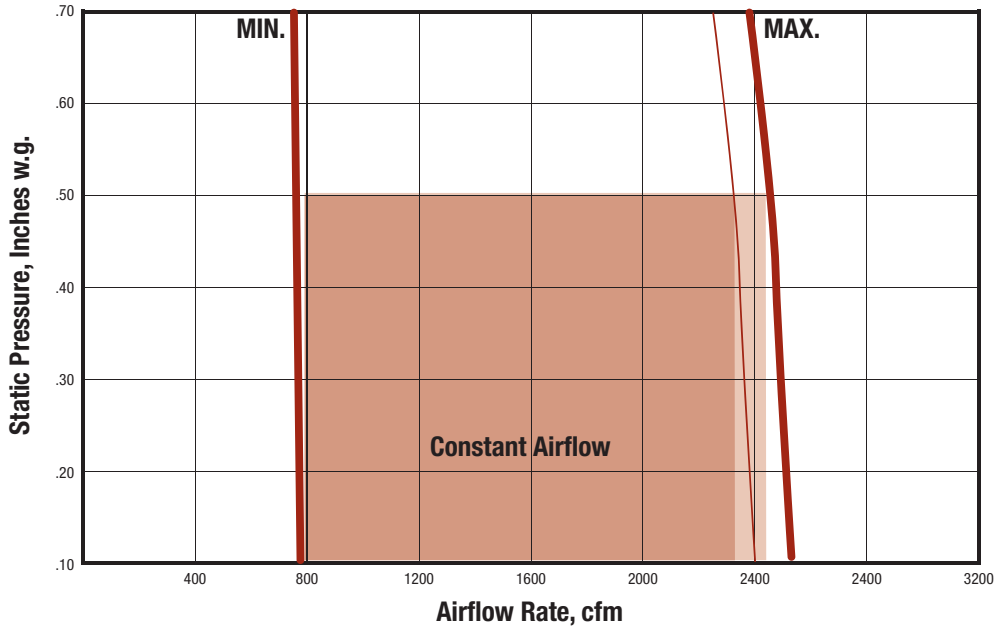


Legend	
	No Filter
	With Filter (MERV8 or 13)

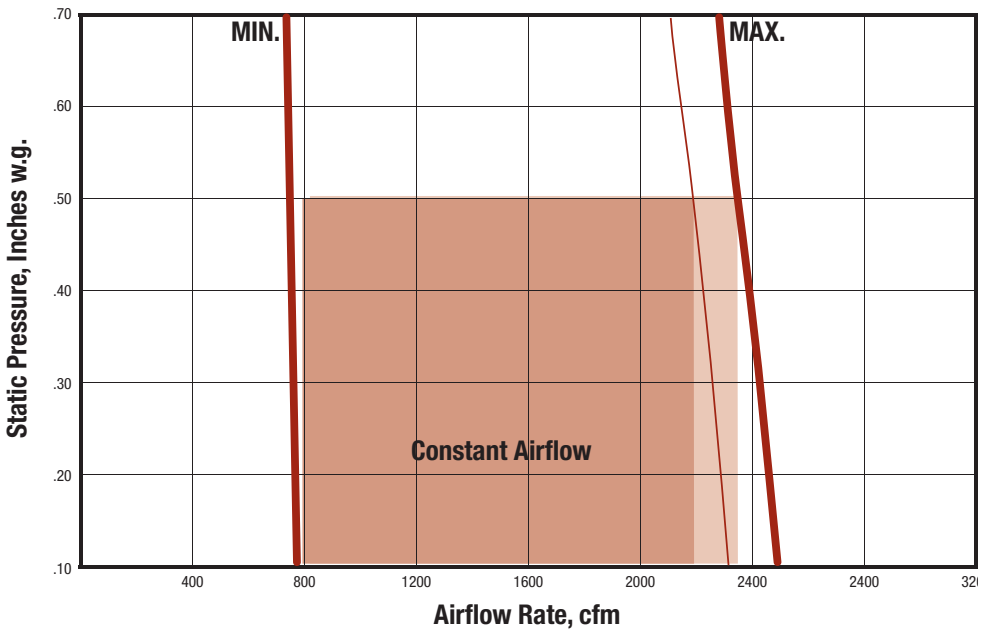
PERFORMANCE DATA

FDV – Fan Performance Curves – ECM Motor

Unit Size 50 – 1 Row Coil



Unit Size 50 – 2 Row Coil

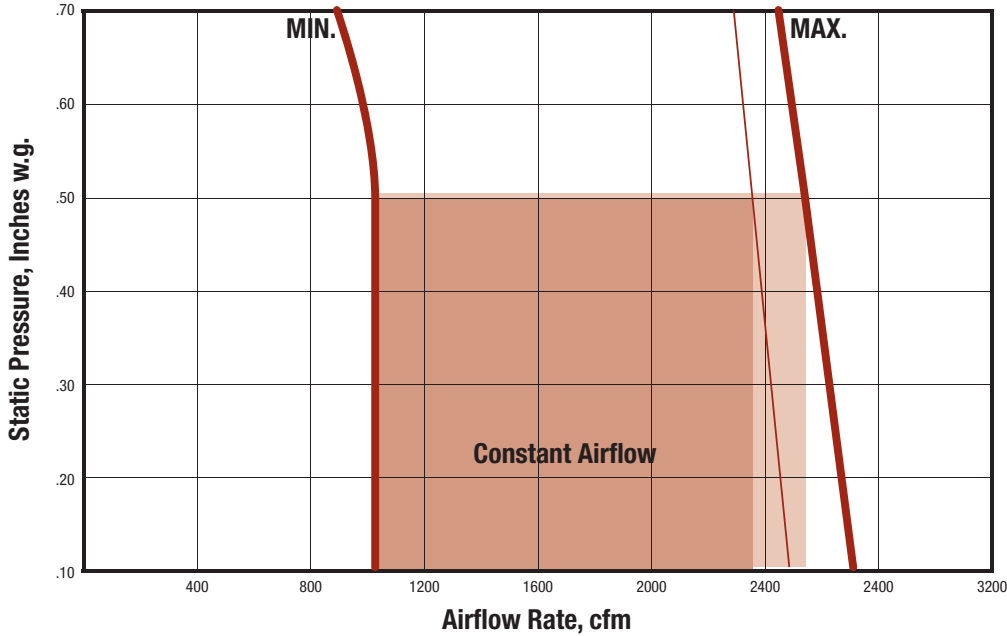


Legend	
	No Filter
	With Filter (MERV8 or 13)

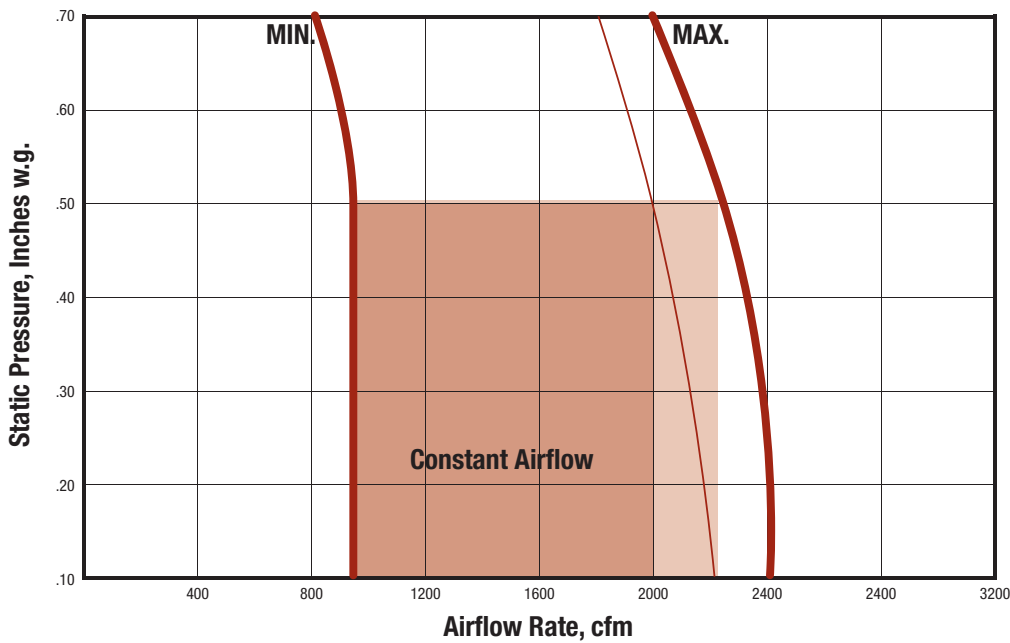
PERFORMANCE DATA

FDV – Fan Performance Curves – ECM Motor

Unit Size 60 – No Coil



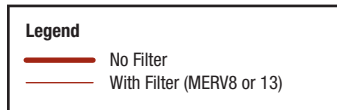
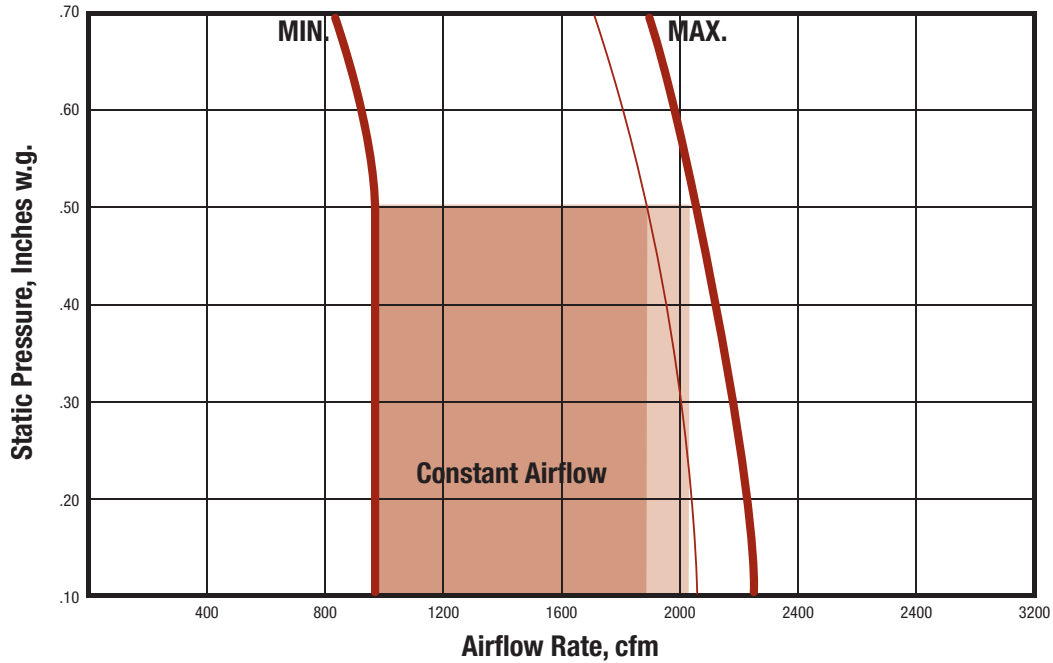
Unit Size 60 – 1 Row Coil



PERFORMANCE DATA

FDV – Fan Performance Curves – ECM Motor

Unit Size 60 – 2 Row Coil



Caution to Contractors

Fan powered terminal units are not intended for use as temporary heat or ventilation during building construction. The terminal units are not designed nor equipped to operate in a dusty construction environment. Recirculating fan wheels can become coated with construction dust, resulting in an unbalanced wheel. This in turn can contribute to reduced motor life. Inlet air filters would provide little protection as they would quickly become plugged with construction dust.

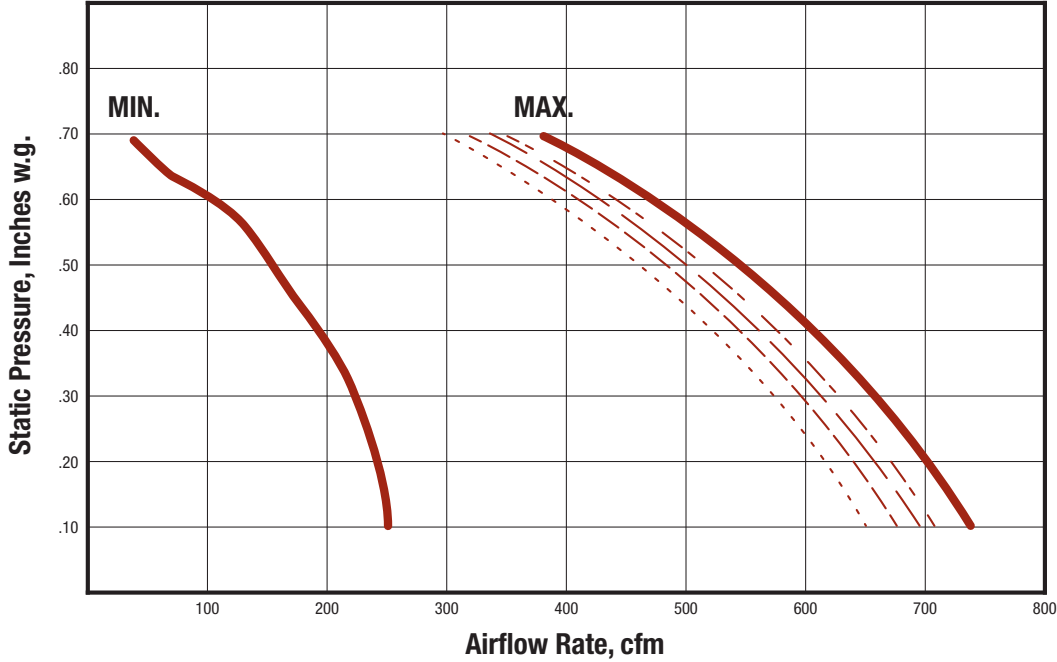
A fan powered terminal unit should never be operated if the downstream ductwork has not been installed. A minimum of 0.10 in. w.g. downstream static pressure resistance is required for safe operation of the recirculating fan motor. For terminal units with electric reheat a minimum discharge static of 0.2" w.g. is recommended for stable operation of heater controls.

Please Note: Price cannot warrant against unauthorized operation under conditions as outlined on this page.

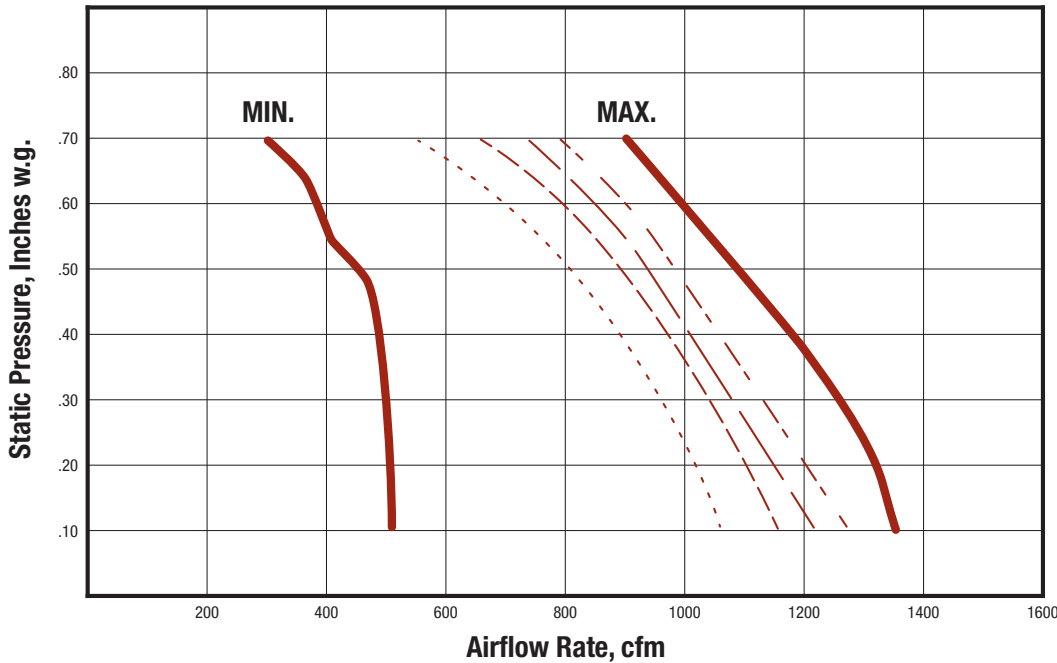
PERFORMANCE DATA

FDV – Fan Performance Curves – PSC Motor

Unit Size 20



Unit Size 30



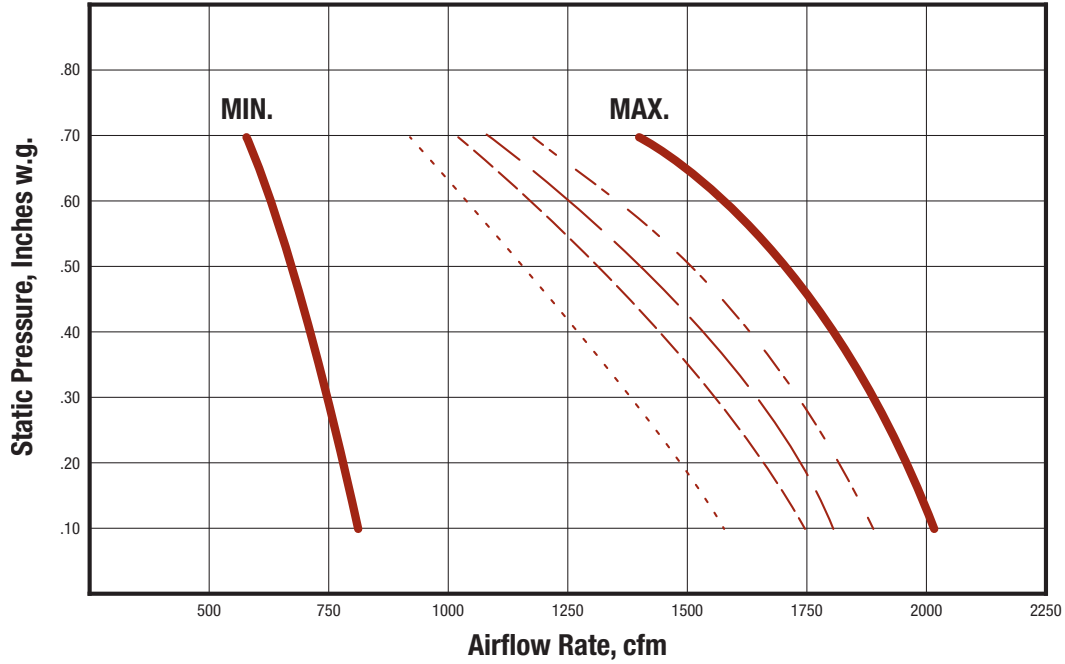
Maximum Flow	
	No Coil or Electric Coil
	1 Row Water Coil
	2 Row Water Coil
	1 Row High Capacity
	2 Row High Capacity

Derate fan capacity by 10% when inlet filters are supplied

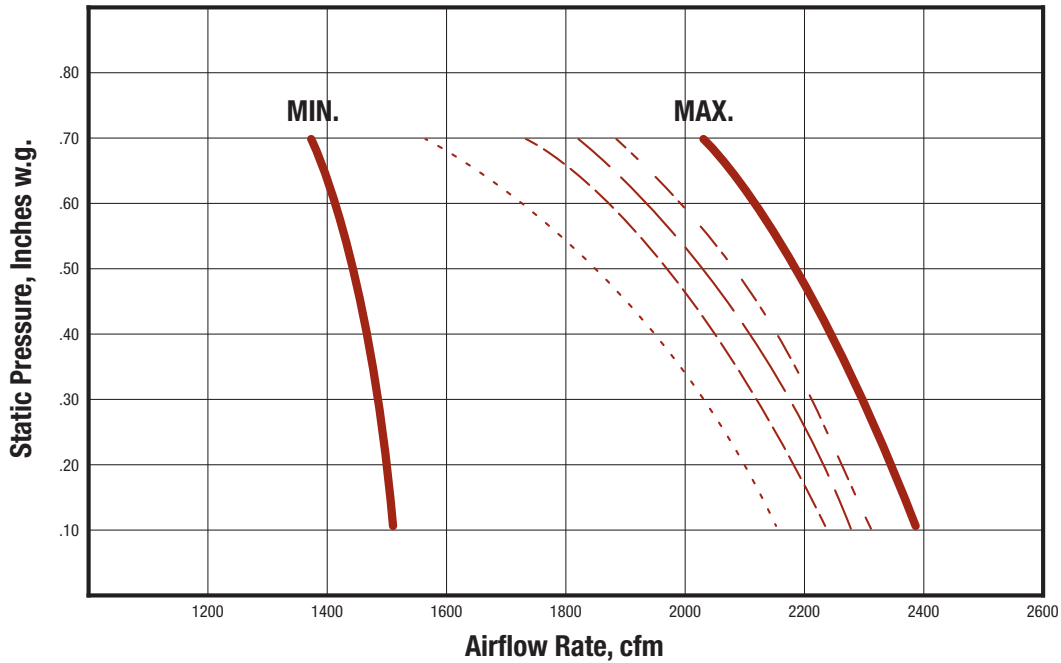
PERFORMANCE DATA

FDV – Fan Performance Curves – PSC Motor

Unit Size 40



Unit Size 50



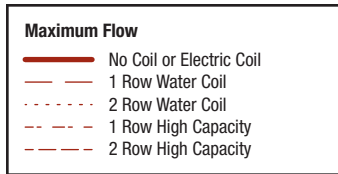
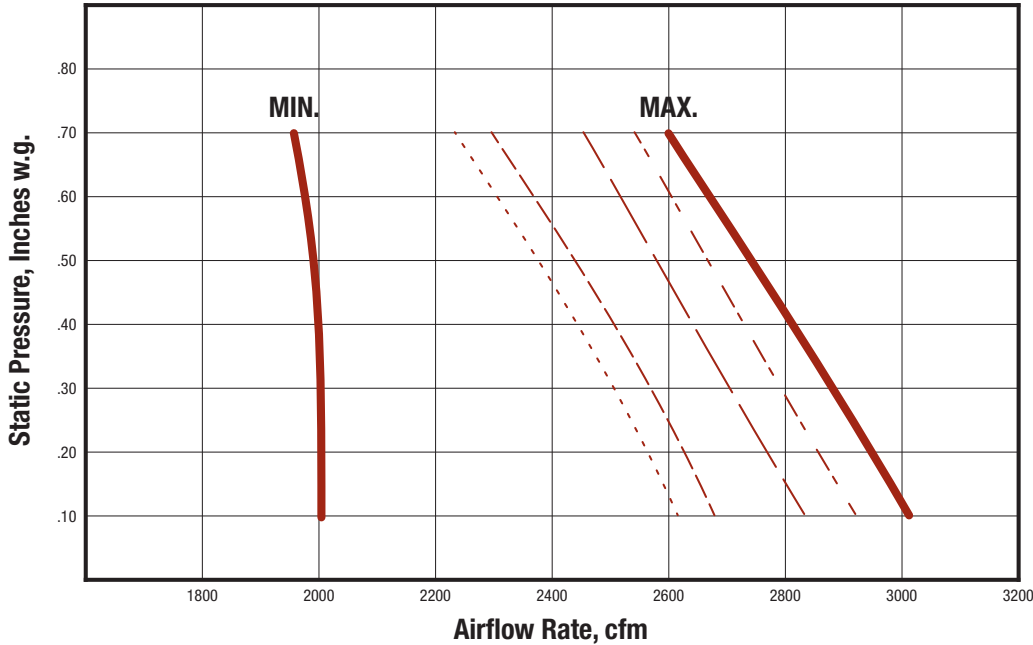
Maximum Flow	
	No Coil or Electric Coil
	1 Row Water Coil
	2 Row Water Coil
	1 Row High Capacity
	2 Row High Capacity

Derate fan capacity by 10% when inlet filters are supplied

PERFORMANCE DATA

FDV – Fan Performance Curves – PSC Motor

Unit Size 60



Derate fan capacity by 10% when inlet filters are supplied

Note: Data obtained in accordance with AHRI Standard 880-2017.

Caution to Contractors

Fan powered terminal units are not intended for use as temporary heat or ventilation during building construction. The terminal units are not designed nor equipped to operate in a dusty construction environment. Recirculating fan wheels can become coated with construction dust, resulting in an unbalanced wheel. This in turn can contribute to reduced motor life. Inlet air filters would provide little protection as they would quickly become plugged with construction dust.

A fan powered terminal unit should never be operated if the downstream ductwork has not been installed. A minimum of 0.10 in. w.g. downstream static pressure resistance is required for safe operation of the recirculating fan motor. For terminal units with electric reheat a minimum discharge static of 0.2" w.g. is recommended for stable operation of heater controls.

Please Note: Price cannot warrant against unauthorized operation under conditions as outlined on this page.

PERFORMANCE DATA

FDV – Recommended Air Volume Ranges

Digital Controls

Inlet Size	cfm Min.*	cfm Max.
6	66	450
8	132	800
10	221	1350
12	310	2100
14	439	3000
16	568	4000

Notes:

Factory calibrated controls must be selected within the above flow range limits. A minimum value of zero is also available.

The maximum flow setting of the controller must be equal to or less than the selected capacity of the recirculating fan.

On controls mounted by Price but supplied by others, the air volume ranges are guidelines only.

* Selection of airflow limits below the listed values is not recommended. Stability and accuracy may not be acceptable at lower than recommended airflow limits. The actual performance will vary depending on the terminal unit controls supplied.

Minimum airflow limit is based on min .02 in. w.g. differential pressure signal from airflow sensor. Selection of airflow limits below the listed values is not recommended. Stability and accuracy may not be acceptable at lower than recommended airflow limits. The actual performance will vary depending on the terminal unit controls supplied. Maximum airflow limit is based on max 1.0 in. w.g. differential pressure signal from airflow sensor.

PERFORMANCE DATA

FDV Electric Coil Max KW – Single Point Connection

Size	1 Phase					3 Phase	
	120	208	240	277	480	208	480
20	5.2	9.7	10.7	10.7	10.7	10.7	10.7
30	4.9	9.8	10.6	12.4	19.2	17	19.2
40	4.5	9.1	10.6	12.3	21.5	15.9	28.5
50	4.2	8.8	10	11.8	20.9	15.3	34.2
60	4.2	8.6	9.6	11.1	19.2	14.9	33.4

FDV Electric Coil Max KW – Dual Point Connection

Size	1 Phase					3 Phase	
	120	208	240	277	480	208	480
20	5.7	9.9	10.7	10.7	10.7	10.7	10.7
30	5.7	9.9	11.5	13.2	19.2	17.2	19.2
40	5.7	9.9	11.5	13.2	23	17.2	28.5
50	5.7	9.9	11.5	13.2	23	17.2	34.2
60	5.7	9.9	11.5	13.2	23	17.2	39.9

Notes:

- ETL certified assemblies.
- Minimum kW:
Single Phase = 0.5 kW per stage.
Three Phase = 1.5 kW.
- The recommended limit of 48 Amps may be exceeded. This requires supplemental fusing to meet NEC code requirements. Contact your local Price representative for further details
- Maximum kW limitations is the lesser of
a) coil selection chart, or
b) minimum air flow requirements of 70 cfm/kW.

SELECTION PARAMETERS

Supply Voltage/Phase Selection

Common Supply Voltages

Electric coils for Fan power Terminal units can be ordered for a variety Voltage supplies.

When possible, a single point connection is provided for the heater and fan motor. Table 1, below, indicates compatible heater/fan motor voltages.

	Heater Volts/Phase	Fan Motor Volts/Phase
Single Point Connection	115V/1PH	115V/1PH
	208V/1PH	208V/1PH
	240V/1PH	240V/1PH
	277V/1PH	277V/1PH
	480V/1PH *3 wire	240V/1PH
	208V/3PH	208V/1PH
	480V/3PH *4 wire	277V/1PH
Dual Point Connection	600V/3PH	115V/1PH

* When 480 V/3PH or 480/1PH power is specified a neutral line must be run in order to provide a one point connection. The neutral and one of the hot 480 V legs are used to supply 240 V to the fan motor when 480V/1ph power is specified, and 277 V to the fan motor when 480V/3ph power is specified.

Notes:

- ETL certified assemblies.
- Minimum kW:
Single Phase = 0.5 kW per stage.
Three Phase = 1.5 kW.
- The recommended limit of 48 Amps may be exceeded. This requires supplemental fusing to meet NEC code requirements. Contact your local Price representative for further details
- Maximum kW limitations is the lesser of
a) coil selection chart, or
b) minimum air flow requirements of 70 cfm/kW.

FDV

Parallel Flow Fan Powered Terminal Unit

PERFORMANCE DATA



FDV – AHRI Certification Rating Points

Unit Size	(1) Primary Airflow cfm	(2) Fan Airflow cfm	(3) Power Input Watts	(4) Minimum Operating Pressure in. Water	Discharge Sound Power Level, dB											
					(5) Fan only						(6) 100% Primary Air Valve Flow at 1.5 in. w.g.					
					Octave Band						Octave Band					
					2	3	4	5	6	7	2	3	4	5	6	7
2006	400	600	300	0.14	66	54	53	49	45	42	74	64	54	48	44	41
2008	700	600	300	0.05	66	54	53	49	45	42	75	66	56	51	49	45
2010	1100	600	300	0.03	66	54	53	49	45	42	77	68	62	57	54	49
3008	700	1250	450	0.05	73	61	62	61	56	53	75	66	56	51	49	45
3010	1100	1250	450	0.03	73	61	62	61	56	53	77	68	62	57	54	49
3012	1600	1250	450	0.01	73	61	62	61	56	53	80	71	68	62	58	53
4010	1100	1900	750	0.01	79	68	65	64	60	58	76	68	62	58	51	47
4012	1600	1900	750	0.01	79	68	65	64	60	58	79	70	66	61	54	49
4014	2100	1900	750	0.01	79	68	65	64	60	58	80	70	67	63	57	52
5012	1600	2300	1200	0.01	79	71	68	68	64	62	74	66	60	57	54	50
5014	2100	2300	1200	0.01	79	71	68	68	64	62	75	67	63	61	58	52
5016	2800	2300	1200	0.01	79	71	68	68	64	62	77	68	65	64	60	55
6014	2100	2900	1800	0.01	80	71	71	73	68	67	73	64	62	59	57	53
6016	2800	2900	1800	0.01	80	71	71	73	68	67	74	66	65	60	58	54

Unit Size	(1) Primary Airflow cfm	(2) Fan Airflow cfm	(3) Power Input Watts	(4) Minimum Operating Pressure in. Water	Radiated Sound Power Level, dB											
					(5) Fan only						(6) 100% Primary Air Valve Flow at 1.5 in. w.g.					
					Octave Band						Octave Band					
					2	3	4	5	6	7	2	3	4	5	6	7
2006	400	600	300	0.14	64	64	53	53	52	50	59	50	46	39	34	32
2008	700	600	300	0.05	64	64	53	53	52	50	63	55	49	42	37	31
2010	1100	600	300	0.03	64	64	53	53	52	50	69	60	54	46	40	35
3008	700	1250	450	0.05	70	65	62	63	61	59	63	55	49	42	37	31
3010	1100	1250	450	0.03	70	65	62	63	61	59	69	60	54	46	40	35
3012	1600	1250	450	0.01	70	65	62	63	61	59	69	61	57	50	42	37
4010	1100	1900	750	0.01	75	70	68	64	62	60	63	57	51	45	38	33
4012	1600	1900	750	0.01	75	70	68	64	62	60	67	61	56	48	41	35
4014	2100	1900	750	0.01	75	70	68	64	62	60	68	64	60	53	48	42
5012	1600	2300	1200	0.01	80	72	70	69	66	63	63	57	54	50	42	37
5014	2100	2300	1200	0.01	80	72	70	69	66	63	65	59	56	51	45	41
5016	2800	2300	1200	0.01	80	72	70	69	66	63	68	61	61	55	51	46
6014	2100	2900	1800	0.01	77	74	74	73	70	69	64	57	55	49	45	40
6016	2800	2900	1800	0.01	77	74	74	73	70	69	66	59	57	51	47	42

Performance Notes:

1. Primary airflow is the standard rated air volume for the inlet size listed.
2. Fan airflow is maximum rated fan volume at 0.25 in. downstream static pressure.
3. Power input is the maximum electrical power input at the maximum rated fan volume.
4. Min. operating pressure is the minimum operating pressure requirement of the primary air valve at the rated primary airflow.
5. Fan only sound power levels are at the maximum rated fan volume.
6. 100% primary sound power levels at rated primary airflow with fan off.
7. Sound power levels include duct end corrections per AHRI Standard 880-2017.

PERFORMANCE DATA

FDV – Typical Selection Guide

Cooling Cycle – 100% Primary

Unit Size	Airflow cfm	Min. ΔPs in.w.g.	Min. ΔPt. in.w.g.	Discharge NC ΔPs Across Unit			Radiated NC ΔPs Across Unit		
				0.5 in. w.g.	1.0 in. w.g.	1.5 in. w.g.	0.5 in. w.g.	1.0 in. w.g.	1.5 in. w.g.
2006	250	0.06	0.16	20	23	25	--	--	--
	350	0.11	0.31	22	25	26	--	--	--
	400	0.14	0.40	24	27	28	--	--	21
	450	0.18	0.50	25	28	30	--	21	23
2008	400	0.02	0.09	--	20	22	--	--	--
	600	0.04	0.21	23	26	28	--	22	24
	700	0.05	0.28	25	28	31	--	--	27
	800	0.06	0.36	24	28	30	21	26	29
2010	750	0.01	0.11	--	21	25	--	25	28
	1100	0.03	0.23	20	26	29	23	30	33
	1350	0.04	0.35	23	29	32	26	32	36
3008	400	0.02	0.09	--	20	22	--	--	--
	600	0.04	0.21	23	26	28	--	22	24
	700	0.05	0.28	25	28	31	--	--	27
	800	0.06	0.36	24	28	30	21	26	29
3010	750	0.01	0.11	--	21	25	--	25	28
	1100	0.03	0.23	20	26	29	23	30	33
	1350	0.04	0.35	23	29	32	26	32	36
3012	900	0.01	0.06	--	23	27	--	23	27
	1300	0.01	0.11	21	28	32	21	28	31
	1600	0.01	0.16	24	30	34	24	30	34
	2100	0.01	0.27	27	34	38	27	34	37
4010	750	0.01	0.12	--	20	23	--	--	22
	1100	0.01	0.24	20	25	29	--	22	26
	1350	0.01	0.35	23	28	31	--	24	28
4012	900	0.01	0.07	--	21	25	--	22	26
	1300	0.01	0.14	--	26	29	--	25	29
	1600	0.01	0.21	22	28	32	21	27	31
	2100	0.01	0.36	26	32	36	24	30	34
4014	1500	0.01	0.08	--	26	30	22	28	32
	2100	0.01	0.15	22	30	34	25	31	35
	2500	0.01	0.21	25	32	36	26	33	37
	3000	0.01	0.30	27	34	38	28	35	39
5012	900	0.01	0.08	--	--	--	--	--	23
	1300	0.01	0.16	--	20	23	--	23	26
	1600	0.01	0.24	--	23	26	21	26	28
	2100	0.01	0.41	20	26	29	23	28	31
5014	1500	0.01	0.11	--	--	23	--	24	27
	2100	0.01	0.20	--	24	27	22	27	31
	2500	0.01	0.28	--	26	29	24	29	32
	3000	0.01	0.41	23	28	32	25	31	34
5016	2500	0.01	0.14	--	24	28	24	31	35
	2800	0.01	0.18	--	26	30	25	32	36
	3500	0.01	0.27	23	30	34	27	34	38
	4000	0.01	0.35	25	32	36	28	35	39
6014	1500	0.01	0.12	--	--	--	--	23	26
	2100	0.01	0.22	--	22	25	20	26	29
	2500	0.01	0.31	--	25	28	22	27	31
	3000	0.01	0.44	23	28	31	23	29	33
6016	2500	0.01	0.17	--	20	24	22	27	31
	2800	0.01	0.21	--	22	26	23	29	32
	3500	0.01	0.32	--	26	29	25	31	34
	4000	0.01	0.41	22	28	31	27	32	36

Performance Notes:

- NCs are derived from sound power levels, which are obtained in accordance with AHRI Standard 880-2017 and ASHRAE Standard 130-2016.
- NCs are derived from sound power levels which include duct end corrections per AHRI Standard 880 -2017.
- Blank spaces (--) indicate NCs less than 20.
- ΔPs is the difference in static pressure from inlet to discharge of the unit.
- ΔPt is the difference in total pressure from inlet to discharge of the unit.
- Min. ΔPs is the minimum static pressure required to achieve rated airflow.
- Fan external static pressure is 0.25 in.w.g. in all cases.
- NC values are calculated based on typical attenuation values outlined in Appendix E, AHRI Standard 885- 2008, "A Procedure for Estimating Occupied Space Sound Levels in the Application of Air Terminals and Air Outlets."

**Typical Attenuation Values:
Radiated Sound**

Total Deduction	Octave Band Mid Frequency, Hz.					
	125	250	500	1000	2000	4000
All Sizes	18	19	20	26	31	36

Discharge Sound

Total Deduction	Octave Band Mid Frequency, Hz.					
	125	250	500	1000	2000	4000
< 300 cfm	24	28	39	53	59	40
300 – 700 cfm	27	29	40	51	53	39
> 700 cfm	29	30	41	51	52	39

PERFORMANCE DATA

FDV – Typical Selection Guide

Heating Cycle – Fan Only

Unit Size	Airflow cfm	Discharge NC	Radiated NC
20	250	--	30
	350	--	32
	450	--	33
	550	--	33
	600	--	34
30	500	--	28
	675	--	31
	800	--	32
	975	--	34
	1100	22	36
	1250	24	37
40	800	--	33
	1020	22	36
	1240	26	38
	1460	28	40
	1680	30	42
	1900	32	43
50	1500	23	38
	1680	24	40
	1860	27	43
	2040	29	45
	2220	31	47
	2300	32	48
60	2000	27	44
	2180	28	45
	2360	30	47
	2540	31	48
	2720	32	49
	2900	34	50

Performance Notes:

1. NCs are derived from sound power levels, which are obtained in accordance with AHRI Standard 880-2017.
2. NCs are derived from sound power levels which include duct end corrections per AHRI Standard 880-2017.
3. Blank spaces (--) indicate NCs less than 20.
4. Fan external static pressure is 0.25 in.w.g. in all cases.
5. NC values are calculated based on typical attenuation values outlined in Appendix E, AHRI Standard 885-2008, "A Procedure for Estimating Occupied Space Sound Levels in the Application of Air Terminals and Air Outlets."

Typical Attenuation Values:

Radiated Sound

Total Deduction	Octave Band Mid Frequency, Hz.					
	125	250	500	1000	2000	4000
All Sizes	18	19	20	26	31	36

Discharge Sound

Total Deduction	Octave Band Mid Frequency, Hz.					
	125	250	500	1000	2000	4000
< 300 cfm	24	28	39	53	59	40
300 – 700 cfm	27	29	40	51	53	39
> 700 cfm	29	30	41	51	52	39

PERFORMANCE DATA



FDV – Discharge Sound Data

Cooling Cycle – 100% Primary

Unit Size	Airflow cfm	Sound Power Levels dB re 10 ⁻¹² Watts																	
		0.5 in. w.g.					1.0 in. w.g.					1.5 in. w.g.							
		Octave Band					Octave Band					Octave Band							
		2	3	4	5	6	7	2	3	4	5	6	7	2	3	4	5	6	7
2006	250	64	50	41	35	31	27	67	54	44	38	34	33	68	56	46	40	37	36
	350	68	55	46	41	36	31	71	60	50	44	40	36	72	62	52	45	42	40
	400	70	58	48	43	38	32	72	62	52	46	42	38	74	64	54	48	44	41
	450	71	60	50	45	40	34	74	64	54	48	44	39	75	66	56	49	46	42
2008	400	65	51	44	38	35	28	67	55	48	42	40	35	69	58	50	44	43	40
	600	69	57	49	43	39	32	72	61	52	47	44	39	74	64	55	49	48	43
	700	71	59	50	45	41	33	74	63	54	49	46	40	75	66	56	51	49	45
	800	72	61	52	47	42	34	75	65	56	50	48	41	77	68	58	52	51	46
2010	750	66	55	49	45	40	32	70	60	55	50	46	40	73	63	58	53	50	45
	1100	69	59	53	50	44	36	74	65	58	54	50	44	77	68	62	57	54	49
	1350	71	62	55	52	46	38	76	67	60	57	53	46	78	70	64	60	56	51
3008	400	65	51	44	38	35	28	67	55	48	42	40	35	69	58	50	44	43	40
	600	69	57	49	43	39	32	72	61	52	47	44	39	74	64	55	49	48	43
	700	71	59	50	45	41	33	74	63	54	49	46	40	75	66	56	51	49	45
	800	72	61	52	47	42	34	75	65	56	50	48	41	77	68	58	52	51	46
3010	750	66	55	49	45	40	32	70	60	55	50	46	40	73	63	58	53	50	45
	1100	69	59	53	50	44	36	74	65	58	54	50	44	77	68	62	57	54	49
	1350	71	62	55	52	46	38	76	67	60	57	53	46	78	70	64	60	56	51
3012	900	66	56	53	47	43	35	72	62	60	54	49	43	75	66	64	58	53	47
	1300	70	59	55	50	46	39	75	66	62	57	52	46	78	69	67	61	56	51
	1600	72	61	57	51	48	41	77	67	64	58	54	48	80	71	68	62	58	53
	2100	75	63	59	53	50	44	80	70	66	60	56	51	83	74	70	64	60	55
4010	750	65	54	48	44	37	33	69	59	54	50	43	40	72	63	58	53	47	44
	1100	69	59	52	49	41	36	73	64	58	55	48	43	76	68	62	58	51	47
	1350	71	62	54	52	43	37	76	67	60	57	50	44	78	70	64	61	53	49
4012	900	65	54	49	43	38	31	70	60	56	50	45	39	73	63	60	55	49	43
	1300	69	59	53	47	41	35	74	64	59	54	48	42	76	68	63	58	52	47
	1600	71	61	55	49	43	37	76	67	61	56	50	44	79	70	66	61	54	49
	2100	73	64	57	52	45	39	78	70	64	59	52	47	81	73	68	63	56	52
4014	1500	68	59	54	49	44	38	74	64	60	56	50	45	77	66	64	60	54	49
	2100	71	63	57	52	47	41	77	68	63	59	53	48	80	70	67	63	57	52
	2500	73	65	59	54	48	43	78	70	65	60	55	50	82	72	68	64	58	53
	3000	74	67	61	55	50	45	80	72	66	62	56	51	83	74	70	66	60	55
5012	900	61	51	46	41	38	32	66	56	51	47	44	40	68	58	53	50	48	44
	1300	65	56	50	46	43	36	69	61	55	51	48	43	72	63	58	55	52	48
	1600	67	59	53	48	45	37	71	63	57	54	51	45	74	66	60	57	54	50
	2100	69	63	56	52	48	40	74	67	61	57	54	48	76	70	63	61	57	52
5014	1500	64	56	51	48	44	37	69	60	56	54	50	44	72	63	59	58	54	49
	2100	67	60	54	51	47	41	72	65	59	57	54	48	75	67	63	61	58	52
	2500	68	63	56	53	49	43	74	67	61	59	56	50	76	70	64	63	60	54
	3000	70	65	58	54	51	45	75	69	63	61	58	52	78	72	66	65	62	56
5016	2500	67	59	54	52	47	43	72	64	60	59	55	50	75	66	63	63	59	54
	2800	68	61	55	53	48	44	74	65	61	60	56	51	77	68	65	64	60	55
	3500	71	64	58	55	50	46	77	68	64	62	58	53	80	71	67	66	62	57
	4000	73	66	59	56	51	47	78	70	65	63	59	54	81	73	69	67	63	58
6014	1500	63	52	51	47	45	40	67	57	56	53	51	46	69	59	59	57	54	50
	2100	67	57	54	50	48	43	71	61	59	56	54	49	73	64	62	59	57	53
	2500	69	59	55	51	50	45	73	63	61	57	56	51	75	66	64	61	59	55
	3000	71	61	57	53	52	47	75	66	62	59	57	53	78	68	66	62	61	56
6016	2500	65	57	54	49	47	42	69	62	60	55	53	49	72	65	64	59	57	53
	2800	66	58	55	50	48	43	71	63	61	56	54	50	74	66	65	60	58	54
	3500	69	61	57	52	50	46	74	66	64	58	56	52	76	69	67	62	60	56
	4000	71	63	59	53	51	47	75	68	65	59	57	54	78	71	69	63	61	57

Performance Notes:

1. Test data obtained in accordance with AHRI Standard 880-2017 and ASHRAE Standard 130-2016.
2. Sound power levels include duct end corrections per AHRI Standard 880-2017.
3. Fan external static pressure is 0.25 in.w.g. in all cases.
4. AHRI certified data is highlighted in blue. All other data are application ratings.
5. Application ratings are outside the scope of the AHRI 880 Certification Program.

FDV Parallel Flow Fan Powered Terminal Unit

PERFORMANCE DATA



FDV – Radiated Sound Data

Cooling Cycle – 100% Primary

Unit Size	Airflow cfm	Sound Power Levels Lw dB re 10 ⁻¹² Watts																	
		0.5 in. w.g.						1.0 in. w.g.						1.5 in. w.g.					
		Octave Band						Octave Band						Octave Band					
		2	3	4	5	6	7	2	3	4	5	6	7	2	3	4	5	6	7
2006	250	48	37	33	30	25	23	52	41	36	31	26	25	54	43	37	32	27	26
	350	52	42	39	35	30	27	56	46	42	37	31	29	58	48	44	37	32	31
	400	54	44	42	37	32	29	57	48	45	39	33	31	59	50	46	39	34	32
	450	55	46	44	39	34	30	59	50	47	40	35	33	61	52	49	41	36	34
2008	400	51	41	37	30	25	19	55	45	40	32	29	23	57	47	41	34	31	26
	600	56	47	43	35	29	23	59	51	45	38	33	27	61	53	47	40	36	30
	700	58	49	45	37	31	24	61	53	48	40	35	29	63	55	49	42	37	31
	800	59	51	47	39	33	25	63	55	50	42	36	30	65	57	51	43	39	33
2010	750	57	47	41	36	29	25	62	53	47	41	34	30	65	56	50	43	37	33
	1100	60	51	45	40	32	27	66	57	51	44	37	32	69	60	54	46	40	35
	1350	63	53	47	41	34	28	68	59	53	46	39	34	71	63	56	48	42	37
3008	400	51	41	37	30	25	19	55	45	40	32	29	23	57	47	41	34	31	26
	600	56	47	43	35	29	23	59	51	45	38	33	27	61	53	47	40	36	30
	700	58	49	45	37	31	24	61	53	48	40	35	29	63	55	49	42	37	31
	800	59	51	47	39	33	25	63	55	50	42	36	30	65	57	51	43	39	33
3010	750	57	47	41	36	29	25	62	53	47	41	34	30	65	56	50	43	37	33
	1100	60	51	45	40	32	27	66	57	51	44	37	32	69	60	54	46	40	35
	1350	63	53	47	41	34	28	68	59	53	46	39	34	71	63	56	48	42	37
3012	900	56	46	42	37	28	26	61	52	48	43	33	31	64	56	52	46	37	34
	1300	59	50	45	40	31	28	64	56	51	45	37	33	67	59	55	49	40	36
	1600	61	52	46	41	33	29	66	58	53	47	39	34	69	61	57	50	42	37
	2100	64	55	49	43	36	30	69	61	55	49	41	35	72	64	59	52	44	38
4010	750	52	44	40	35	26	25	57	50	44	39	30	28	60	54	47	41	33	30
	1100	55	48	43	39	30	27	60	54	48	43	35	30	63	57	51	45	38	33
	1350	56	49	45	41	32	28	61	55	50	45	37	32	64	59	53	47	40	34
4012	900	55	46	42	34	27	24	60	52	48	40	33	29	62	56	51	43	36	32
	1300	58	49	45	37	30	26	62	56	51	43	36	31	65	59	54	46	39	34
	1600	59	51	46	38	32	27	64	57	53	44	37	32	67	61	56	48	41	35
	2100	61	54	49	40	34	28	66	60	55	46	39	33	69	64	58	50	43	36
4014	1500	58	53	48	41	35	29	63	58	54	46	41	35	65	62	57	50	44	39
	2100	61	55	51	44	39	32	66	61	57	49	44	39	68	64	60	53	48	42
	2500	63	57	52	45	40	34	67	62	58	51	46	40	70	66	62	54	49	44
	3000	64	58	54	47	42	36	69	64	60	52	48	42	71	67	63	56	51	46
5012	900	50	43	41	33	27	24	54	48	46	39	32	29	57	51	49	43	35	33
	1300	54	47	45	38	32	27	58	52	49	44	37	32	61	55	52	47	40	36
	1600	56	49	47	41	35	29	60	54	51	47	39	34	63	57	54	50	42	37
	2100	59	52	49	44	38	31	63	57	54	50	43	36	66	60	56	53	46	40
5014	1500	54	48	45	38	32	26	59	53	50	44	38	33	62	56	53	47	42	37
	2100	57	51	48	41	36	30	62	56	53	47	42	37	65	59	56	51	45	41
	2500	59	53	50	43	38	32	64	58	54	49	44	39	67	61	57	53	47	43
	3000	60	55	51	45	39	34	66	59	56	51	46	41	69	62	59	54	49	45
5016	2500	59	52	50	44	38	33	64	57	56	50	45	41	67	60	60	53	49	45
	2800	60	54	51	45	40	35	65	58	57	51	47	42	68	61	61	55	51	46
	3500	63	56	53	47	42	38	68	61	59	53	49	45	71	63	63	57	53	49
	4000	64	57	54	49	44	40	69	62	60	55	51	47	72	65	64	58	55	51
6014	1500	52	45	44	38	33	28	57	51	49	43	38	33	60	54	52	46	40	36
	2100	55	48	46	40	37	32	61	54	52	46	42	37	64	57	55	49	45	40
	2500	57	50	48	42	39	34	63	56	53	47	44	39	66	59	56	51	47	42
	3000	60	52	49	43	41	36	65	57	55	49	46	41	68	60	58	52	49	44
6016	2500	56	49	48	41	38	34	62	54	53	46	43	38	64	57	56	49	45	41
	2800	58	50	49	43	39	35	63	55	54	48	44	40	66	59	57	51	47	42
	3500	60	52	51	45	42	38	65	58	56	50	47	43	68	61	59	53	50	45
	4000	61	54	52	46	44	40	66	59	58	51	49	44	69	62	61	54	51	47

Performance Notes:

1. Test data obtained in accordance with AHRI Standard 880-2017 and ASHRAE Standard 130-2016.
2. Sound power levels include duct end corrections per AHRI Standard 880-2017.
3. Fan external static pressure is 0.25 in.w.g. in all cases.
4. AHRI certified data is highlighted in blue. All other data are application ratings.
5. Application ratings are outside the scope of the AHRI 880 Certification Program.

PERFORMANCE DATA



FDV – Discharge and Radiated Sound Power Levels

Heating Cycle – Fan Only

Unit Size	Airflow cfm	Sound Power Levels, LW, dB, re 10 ⁻¹² Watts											
		Discharge Sound Data Octave Band						Radiated Sound Data Octave Band					
		2	3	4	5	6	7	2	3	4	5	6	7
20	250	57	48	43	37	33	22	56	61	45	44	41	34
	350	61	50	47	41	38	30	59	62	48	47	45	40
	450	63	52	50	45	41	36	61	63	50	50	48	45
	550	65	53	52	48	44	40	63	63	52	53	51	49
	600	66	54	53	49	45	42	64	64	53	53	52	50
30	500	59	52	49	45	40	32	56	58	53	50	47	41
	675	63	55	53	50	45	39	61	60	56	55	52	47
	800	66	57	55	53	48	42	63	62	58	57	54	50
	975	69	59	58	57	51	47	66	63	59	60	57	54
	1100	71	60	60	59	53	50	68	64	60	61	59	56
1250	73	61	62	61	56	53	70	65	62	63	61	59	
40	800	68	56	53	50	44	39	65	59	58	53	50	43
	1020	71	59	56	54	48	44	68	62	61	56	53	48
	1240	74	62	59	57	52	48	70	64	63	59	56	52
	1460	76	64	61	60	55	52	72	66	65	61	58	55
	1680	77	66	63	62	57	55	73	68	66	62	60	58
1900	79	68	65	64	60	58	75	70	68	64	62	60	
50	1500	70	65	62	57	53	49	72	64	63	60	58	53
	1680	72	67	63	60	56	53	74	66	65	62	60	56
	1860	74	68	65	63	59	56	76	68	67	64	62	58
	2040	76	69	66	65	61	58	77	70	68	66	64	61
	2220	78	70	67	67	63	61	79	71	69	68	66	63
2300	79	71	68	68	64	62	80	72	70	69	66	63	
60	2000	74	67	65	63	59	57	71	70	68	65	62	60
	2180	76	68	66	65	61	59	73	71	69	67	64	62
	2360	77	69	68	67	63	61	74	71	71	68	65	64
	2540	78	70	69	69	65	63	75	72	72	70	67	65
	2720	79	71	70	71	67	65	76	73	73	71	69	67
2900	80	71	71	73	68	67	77	74	74	73	70	69	

Performance Notes:

1. Test data obtained in accordance with AHRI Standard 880-2017 and ASHRAE Standard 130-2016.
2. Sound power levels include duct end corrections per AHRI Standard 880-2017.
3. Fan external static pressure is 0.25 in.w.g. in all cases.
4. AHRI certified data is highlighted in blue. All other data are application ratings.
5. Application ratings are outside the scope of the AHRI 880 Certification Program.

PERFORMANCE DATA

FDV – 1 and 2 Row Hot Water Coil Data

Size 10 Standard Capacity

Rows	Coil GPM	HD loss	Airflow rate (CFM)						
			250	350	450	550	650	750	850
1 Row Multi Circuit	0.5	0.21	7.30	8.20	8.70	9.20	9.60	9.80	10.10
	1	0.73	9.20	10.70	11.60	12.50	13.10	13.70	14.20
	2	2.53	10.70	12.60	14.10	15.30	16.30	17.10	17.90
	3	5.25	11.20	13.30	15.00	16.40	17.50	18.50	19.60
	Through the Coil, ΔPs		0.04	0.07	0.10	0.14	0.18	0.23	0.28
2 Row Multi Circuit	0.5	0.05	11.90	13.30	14.10	14.80	15.30	15.70	
	1	0.17	15.40	17.70	19.50	20.80	21.90	22.80	
	2	0.60	18.10	21.70	24.40	26.60	28.40	30.00	
	3	1.25	19.20	23.30	26.60	29.30	31.60	33.50	
	Through the Coil, ΔPs		0.08	0.15	0.22	0.31	0.41	0.51	

Size 10 High Capacity

Rows	Coil GPM	HD loss	Airflow rate (CFM)						
			250	350	450	550	650	750	850
1 Row Multi Circuit	0.5	0.29	8.90	9.90	10.50	11.00	11.50	11.70	12.10
	1	0.99	11.80	13.50	14.80	15.90	16.80	17.30	17.90
	2	3.43	14.10	16.60	18.70	20.30	21.70	22.90	24.00
	3	7.12	15.00	17.90	20.30	22.30	24.00	25.40	26.60
	Through the Coil, ΔPs		0.03	0.05	0.07	0.10	0.13	0.16	0.20
2 Row Multi Circuit	0.5	0.07	13.90	15.40	16.40	17.10	17.70	18.10	
	1	0.22	18.50	21.50	23.70	25.40	26.70	27.70	
	2	0.76	22.20	27.00	30.70	33.70	36.10	38.30	
	3	1.58	23.70	29.30	33.90	37.70	40.80	43.50	
	Through the Coil, ΔPs		0.06	0.11	0.16	0.22	0.29	0.36	

Size 20 Standard Capacity

Rows	Coil GPM	HD loss	Airflow rate (CFM)						
			450	550	650	750	850	950	1050
1 Row Multi Circuit	0.5	0.04	10.30	10.80	11.30	11.60	11.80	12.00	12.30
	1	0.15	14.30	15.30	16.30	16.90	17.40	17.90	18.50
	2	0.50	18.10	19.80	21.20	22.50	23.40	24.50	25.20
	3	1.05	19.80	21.90	23.60	25.20	26.60	27.70	28.70
	Through the Coil, ΔPs		0.03	0.05	0.06	0.08	0.09	0.11	0.13
2 Row Multi Circuit	0.5	0.08	16.60	17.50	18.00	18.50	19.00	19.20	19.50
	1	0.27	23.90	25.70	27.10	28.30	29.30	30.10	30.90
	2	0.94	30.60	33.80	36.50	38.70	40.70	42.30	43.80
	3	1.95	33.70	37.60	41.10	44.00	46.50	48.70	50.80
	Through the Coil, ΔPs		0.07	0.10	0.13	0.17	0.21	0.25	0.29

Size 20 High Capacity

Rows	Coil GPM	HD loss	Airflow rate (CFM)						
			450	550	650	750	850	950	1050
1 Row Multi Circuit	0.5	0.46	12.20	12.80	13.20	13.60	14.00	14.10	14.30
	1	1.59	18.00	19.30	20.30	21.20	21.90	22.50	23.00
	2	5.50	23.60	25.80	27.60	29.20	30.60	31.90	33.00
	3	11.42	26.20	29.00	31.30	33.40	35.20	36.90	38.40
	Through the Coil, ΔPs		0.02	0.03	0.04	0.05	0.07	0.08	0.09
2 Row Multi Circuit	0.5	0.10	18.60	19.40	20.00	20.50	20.80	21.10	21.40
	1	0.34	27.90	29.90	31.50	32.70	33.80	34.70	35.50
	2	1.17	36.80	40.80	44.10	46.80	49.20	51.20	53.10
	3	2.42	41.00	46.00	50.40	54.20	57.50	60.50	63.10
	Through the Coil, ΔPs		0.05	0.07	0.10	0.12	0.15	0.18	0.21

For Performance Notes, see end of section.

PERFORMANCE DATA

FDV – 1 and 2 Row Hot Water Coil Data

Size 30 Standard Capacity

Rows	Coil GPM	HD loss	Airflow rate (CFM)						
			850	950	1050	1150	1250	1350	1450
1 Row Multi Circuit	1	0.15	17.40	17.90	18.50	18.80	19.10	19.60	19.80
	2	0.50	23.40	24.50	25.20	25.90	26.60	27.20	27.80
	4	1.76	28.30	29.60	30.90	32.00	33.00	34.00	34.90
	6	3.69	30.20	31.70	33.10	34.50	35.70	36.80	38.00
	Through the Coil, ΔPs			0.09	0.11	0.13	0.15	0.18	0.20
2 Row Multi Circuit	1	0.27	29.30	30.10	30.90	31.40	32.00	32.50	
	2	0.94	40.70	42.30	43.80	45.20	46.40	47.50	
	4	3.27	49.90	52.70	55.00	57.20	59.20	61.10	
	6	6.82	53.70	56.80	59.60	62.30	64.70	67.00	
	Through the Coil, ΔPs			0.21	0.25	0.30	0.35	0.40	0.45

Size 30 High Capacity

Rows	Coil GPM	HD loss	Airflow rate (CFM)						
			850	950	1050	1150	1250	1350	1450
1 Row Multi Circuit	0.5	0.46	14.00	14.10	14.30	14.50	14.70	14.90	14.90
	1	1.59	21.90	22.50	23.00	23.60	23.90	24.40	24.70
	2	5.50	30.60	31.90	33.00	34.00	34.90	35.80	36.40
	3	11.42	35.20	36.90	38.40	39.70	40.90	42.00	43.00
	Through the Coil, ΔPs			0.07	0.08	0.09	0.11	0.13	0.14
2 Row Multi Circuit	1	0.34	33.80	34.70	35.50	36.20	36.70	37.20	
	2	1.17	49.20	51.20	53.10	54.70	56.10	57.50	
	4	4.07	62.60	66.20	69.50	72.50	75.10	77.60	
	6	8.48	68.40	72.70	76.70	80.50	83.80	87.00	
	Through the Coil, ΔPs			0.15	0.18	0.22	0.25	0.29	0.32

Size 40 Standard Capacity

Rows	Coil GPM	HD loss	Airflow rate (CFM)							
			1150	1250	1350	1450	1550	1650	1750	1850
1 Row Multi Circuit	1	0.15	18.80	19.10	19.60	19.80	20.00	20.30	20.60	20.80
	2	0.50	25.90	26.60	27.20	27.80	28.40	28.90	29.30	29.80
	4	1.76	32.00	33.00	34.00	34.90	35.80	36.60	37.30	38.10
	6	3.69	34.50	35.70	36.80	38.00	38.90	39.80	40.70	41.70
	Through the Coil, ΔPs			0.15	0.18	0.20	0.23	0.25	0.28	0.31
2 Row Multi Circuit	1	0.27	31.40	32.00	32.50	33.00	33.40	33.80		
	2	0.94	45.20	46.40	47.50	48.50	49.50	50.30		
	4	3.27	57.20	59.20	61.10	62.90	64.50	66.00		
	6	6.82	62.30	64.70	67.00	69.10	71.10	73.00		
	Through the Coil, ΔPs			0.35	0.40	0.45	0.51	0.56	0.63	

Size 40 High Capacity

Rows	Coil GPM	HD loss	Airflow rate (CFM)							
			1150	1250	1350	1450	1550	1650	1750	1850
1 Row Multi Circuit	0.5	0.46	14.50	14.70	14.90	14.90	15.10	15.30	15.30	15.30
	1	1.59	23.60	23.90	24.40	24.70	24.90	25.30	25.60	25.70
	2	5.50	34.00	34.90	35.80	36.40	37.00	37.80	38.30	38.80
	3	11.42	39.70	40.90	42.00	43.00	44.00	44.80	45.70	46.40
	Through the Coil, ΔPs			0.11	0.13	0.14	0.16	0.18	0.20	0.22
2 Row Multi Circuit	1	0.34	36.20	36.70	37.20	37.60	38.10	38.50		
	2	1.17	54.70	56.10	57.50	58.50	59.60	60.50		
	4	4.07	72.50	75.10	77.60	79.80	81.90	83.80		
	6	8.48	80.50	83.80	87.00	89.80	92.50	95.10		
	Through the Coil, ΔPs			0.25	0.29	0.32	0.36	0.41	0.45	

For Performance Notes, see end of section.

PERFORMANCE DATA

FDV – 1 and 2 Row Hot Water Coil Data

Size 50 Standard Capacity

Rows	Coil GPM	HD loss	Airflow rate (CFM)							
			1550	1650	1750	1850	1950	2050	2150	2250
1 Row Multi Circuit	1	0.18	22.70	22.80	23.20	23.30	23.50	23.80	23.90	24.20
	2	0.62	32.90	33.50	34.20	34.60	35.00	35.50	35.90	36.30
	4	2.16	42.70	43.70	44.60	45.50	46.30	47.10	47.90	48.70
	6	4.52	47.10	48.30	49.50	50.60	51.60	52.50	53.60	54.40
	Through the Coil, ΔPs		0.14	0.15	0.17	0.19	0.20	0.22	0.24	0.26
2 Row Multi Circuit	1.5	0.25	46.30	46.90	47.50	48.20	48.60	49.00	49.50	
	3	0.87	66.00	67.40	68.70	69.90	71.00	72.10	73.20	
	6	3.03	82.90	85.30	87.40	89.50	91.40	93.30	95.10	
	9	6.33	90.00	92.70	95.30	97.80	100.20	102.40	104.60	
	Through the Coil, ΔPs		0.31	0.35	0.38	0.42	0.46	0.50	0.54	

Size 50 High Capacity

Rows	Coil GPM	HD loss	Airflow rate (CFM)							
			1550	1650	1750	1850	1950	2050	2150	2250
1 Row Multi Circuit	1	0.20	26.20	26.50	26.80	27.00	27.20	27.40	27.60	27.80
	2	0.70	40.60	41.40	41.90	42.50	43.00	43.50	43.90	44.40
	4	2.46	55.90	57.20	58.30	59.40	60.50	61.40	62.40	63.20
	6	5.13	63.50	65.20	66.70	68.10	69.50	70.80	72.10	73.20
	Through the Coil, ΔPs		0.11	0.12	0.14	0.15	0.16	0.18	0.19	0.21
2 Row Multi Circuit	1.5	0.29	53.20	53.90	54.50	55.20	55.60	56.00	56.50	
	3	0.98	79.90	81.60	83.20	84.50	85.80	87.00	88.20	
	6	3.43	104.90	108.00	110.90	113.50	116.10	118.40	120.80	
	9	7.14	115.90	119.80	123.50	126.80	130.00	133.20	136.00	
	Through the Coil, ΔPs		0.25	0.28	0.31	0.34	0.37	0.40	0.43	

Size 60 Standard Capacity

Rows	Coil GPM	HD loss	Airflow rate (CFM)							
			1500	1600	1700	1800	1900	2100	2200	650
1 Row Multi Circuit	1	0.19	21.41	21.69	21.95	22.19	22.41	22.63	22.99	9.8
	2	0.66	30.80	31.38	31.93	32.44	32.92	33.36	34.20	13.6
	4	2.31	39.14	40.09	40.99	41.84	42.64	44.05	44.81	16.7
	6	4.82	43.24	44.41	45.52	46.57	47.56	48.16	50.28	18.0
	Through the Coil, ΔPs		0.10	0.11	0.12	0.13	0.14	0.17	0.18	0.10
2 Row Multi Circuit	1.5	0.27	43.50	44.17	44.78	45.35	45.67	46.59	47.01	22.9
	3	0.93	60.94	62.36	63.68	64.91	65.59	67.66	68.61	29.1
	6	3.23	74.67	76.91	79.02	81.01	82.86	86.36	87.98	33.2
	9	6.74	80.86	83.54	86.07	88.48	90.36	94.59	96.57	35.0
	Through the Coil, ΔPs		0.21	0.23	0.26	0.28	0.31	0.36	0.39	0.22

Size 60 High Capacity

Rows	Coil GPM	HD loss	Airflow rate (CFM)							
			1500	1600	1700	1800	1900	2100	2200	650
1 Row Multi Circuit	1	0.20	23.45	23.73	23.97	24.20	24.41	24.60	24.95	11.2
	2	0.70	35.28	35.92	36.49	37.02	37.51	37.92	38.82	16.3
	4	2.46	46.81	47.94	48.96	49.92	50.83	52.40	53.26	21.1
	6	5.13	52.83	54.27	55.58	56.83	58.00	58.58	61.19	23.5
	Through the Coil, ΔPs		0.11	0.12	0.13	0.14	0.16	0.19	0.20	0.07
2 Row Multi Circuit	1.5	0.29	47.32	47.99	48.58	49.13	49.43	50.30	50.70	26.4
	3	0.98	69.02	70.60	72.03	73.35	74.06	76.26	77.25	35.3
	6	3.43	87.30	90.01	92.50	94.84	97.01	101.07	102.95	41.6
	9	7.15	95.74	99.08	102.18	105.11	107.40	112.53	114.92	44.3
	Through the Coil, ΔPs		0.24	0.26	0.29	0.32	0.35	0.41	0.44	0.16

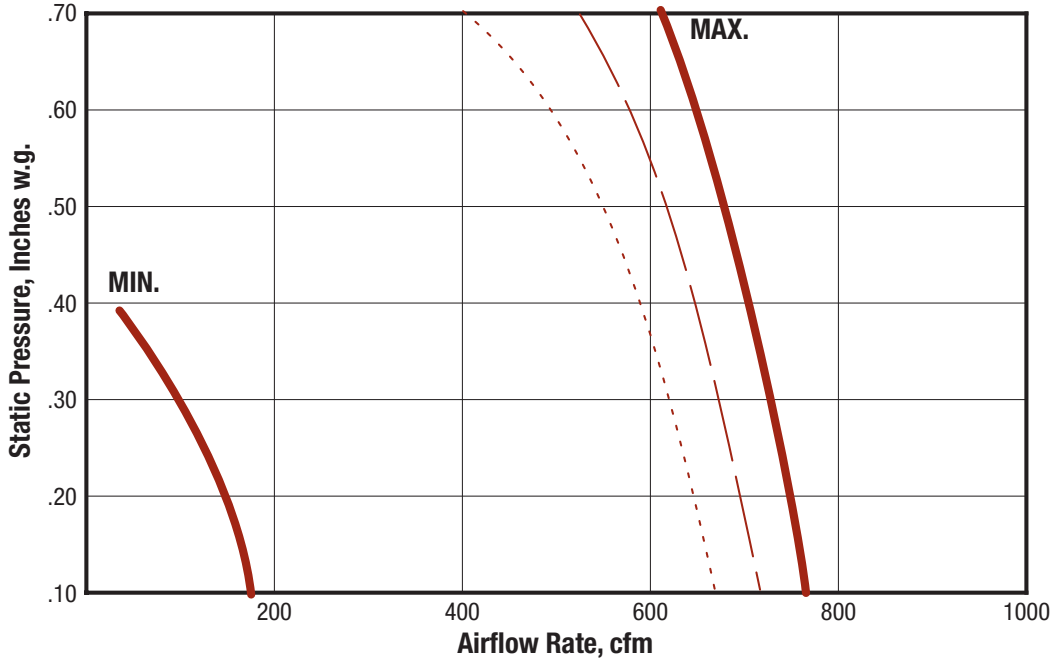
Performance Notes:

- Tabulated values are in MBH (thousands of Btu per hour).
- Minimum air and water flow values are based on ASHRAE recommendations for coil selections. For selections below these tabulated air or water values, please consult your local Price representative.
- Do not select coils for a leaving air temperature above 120 °F.
- HD (Head) loss is in ft of water.
- Through the Coil ΔPs, is the pressure drop in in. of water across the coil.
- Air temperature rise = ATR, ATR (°F) = 927 x MBH/cfm
- Water temperature drop = WTD, WTD (°F) = 2.04 x MBH/gpm
- Values in tables are listed for 0 ft of altitude and no glycol in the system.
- For information outside the ranges used in the table, consult the current Price software or your Price representative for accurate coil information.
- Heating coils used in this unit have performance rated and certified in accordance with the current edition of AHRI Standard 410.
- Connections:
Single Circuit – 1/2 in. OD male solder
Multi Circuit – 7/8 in. OD male solder

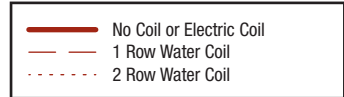
PERFORMANCE DATA

FDV with Low Profile Construction (FDVLP) with ECM
– Fan Performance Curves

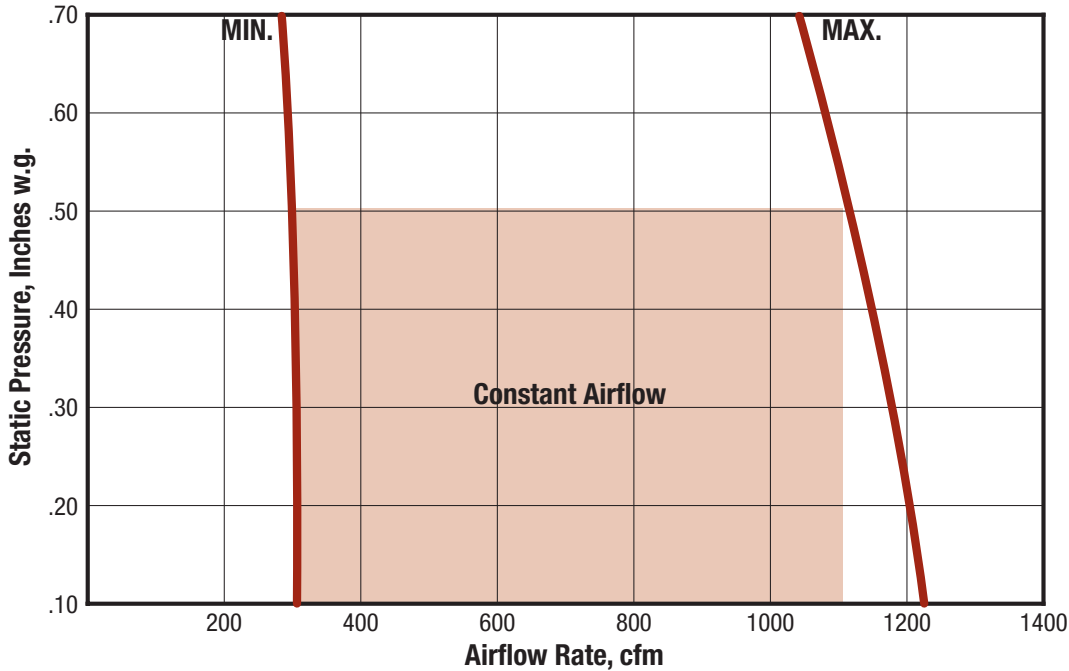
Unit Size 20 - No Coil, 1 and 2 Row Coil*



***Note:**
Unit size 20 cannot be programmed for factory set fan flow. The fan air volume will vary as the external static pressure varies in accordance with the fan curves illustrated. All other features and benefits of the ECM motor apply to the size 20 unit.



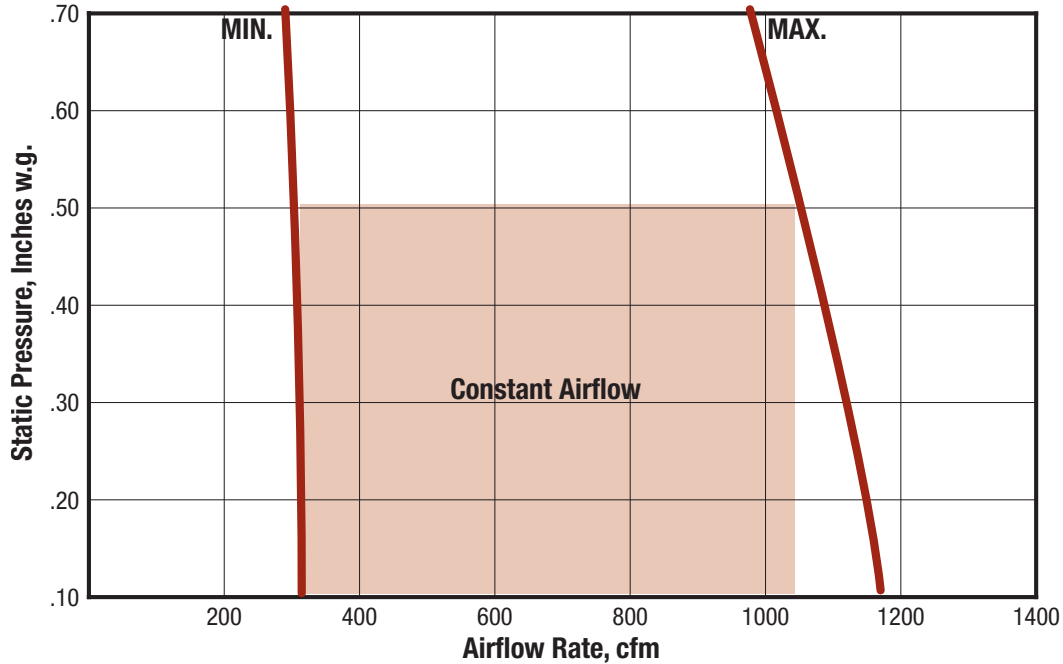
Unit Size 30 - No Coil



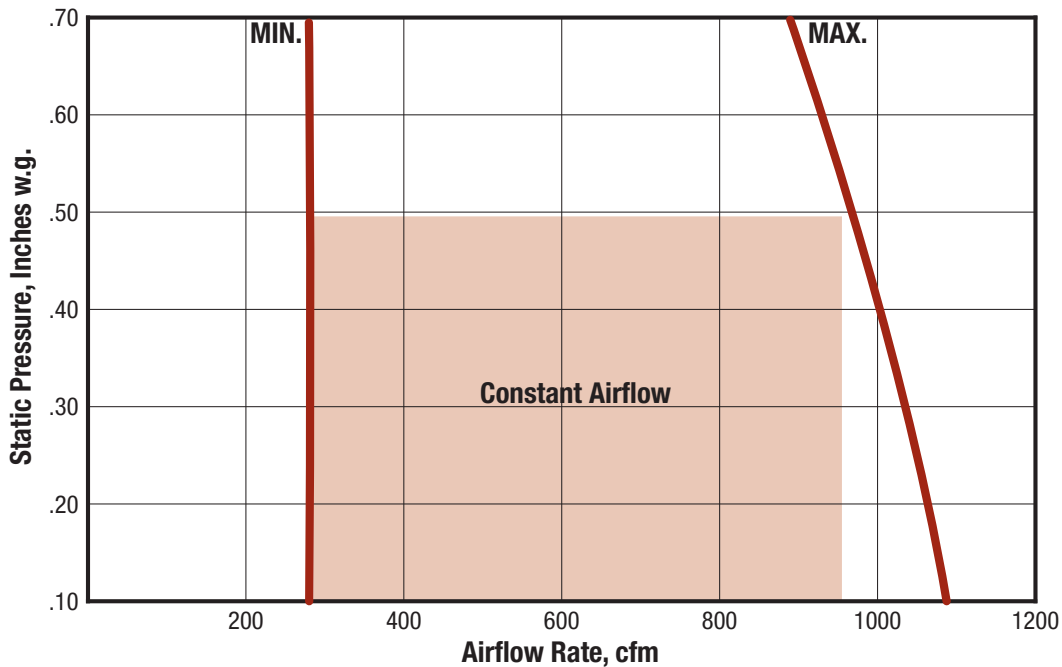
PERFORMANCE DATA

FDV with Low Profile Construction (FDVLP) with ECM
– Fan Performance Curves

Unit Size 30 - 1 Row Coil



Unit Size 30 - 2 Row Coil



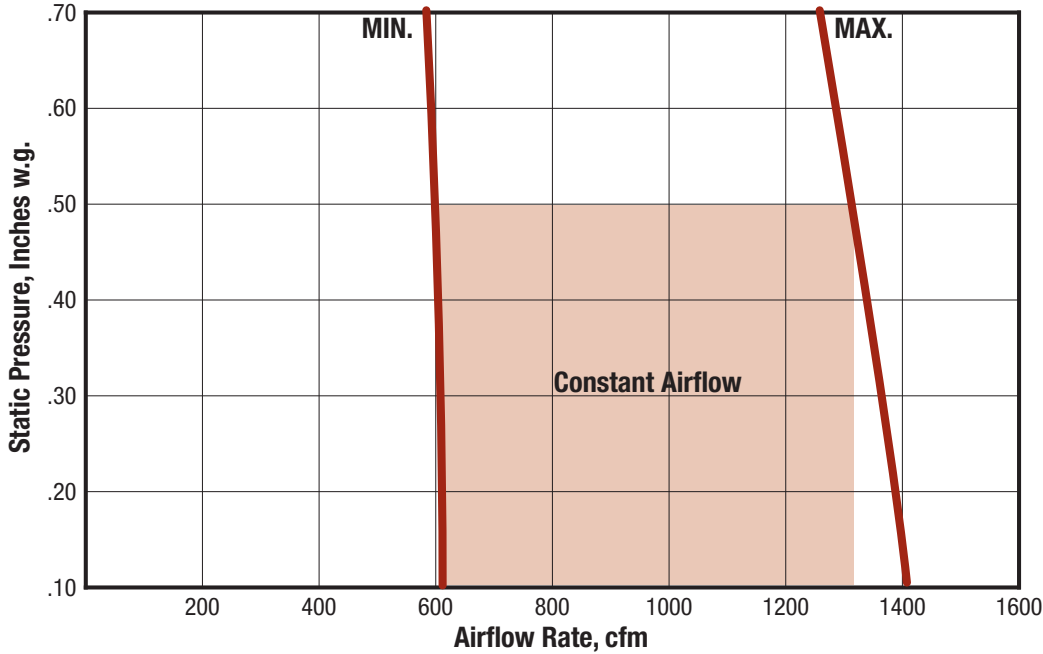
FDV

Parallel Flow Fan Powered Terminal Unit

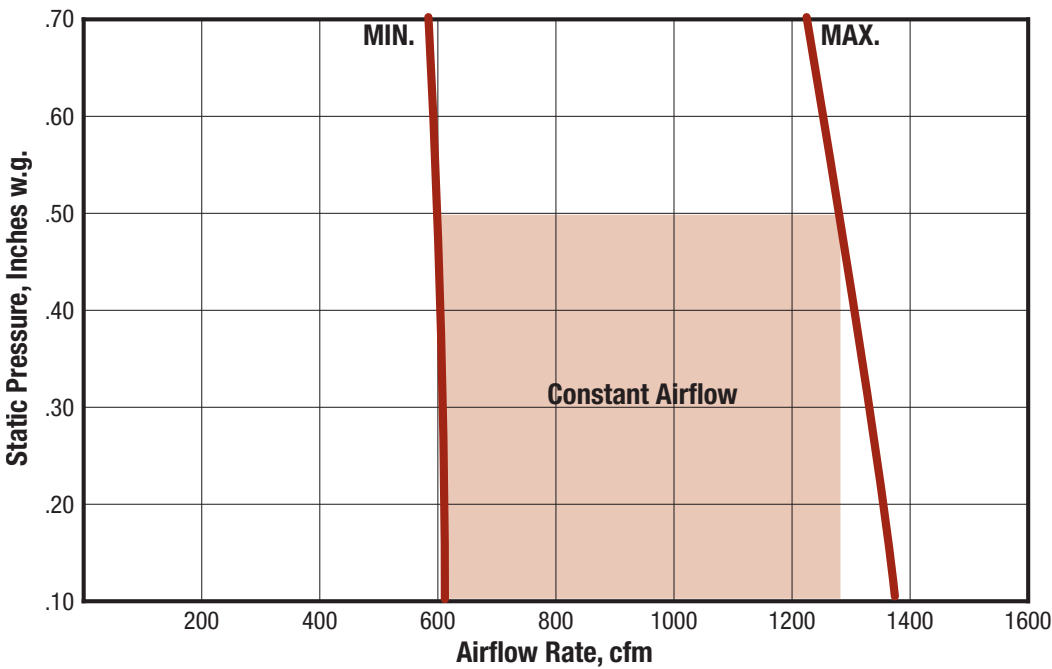
PERFORMANCE DATA

FDV with Low Profile Construction (FDVLP) with ECM
– Fan Performance Curves

Unit Size 40 - No Coil



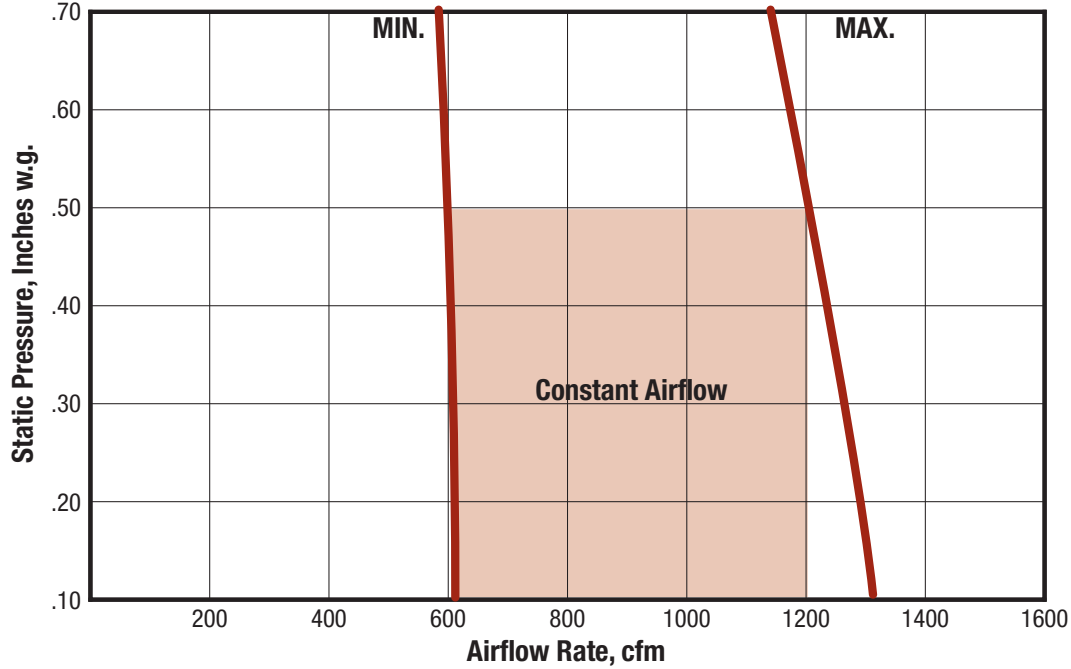
Unit Size 40 - 1 Row Coil



PERFORMANCE DATA

FDV with Low Profile Construction (FDVLP) with ECM – Fan Performance Curves

Unit Size 40 - 2 Row Coil

**Caution to Contractors**

Fan powered terminal units are not intended for use as temporary heat or ventilation during building construction. The terminal units are not designed nor equipped to operate in a dusty construction environment. Recirculating fan wheels can become coated with construction dust, resulting in an unbalanced wheel. This in turn can contribute to reduced motor life. Inlet air filters would provide little protection as they would quickly become plugged with construction dust.

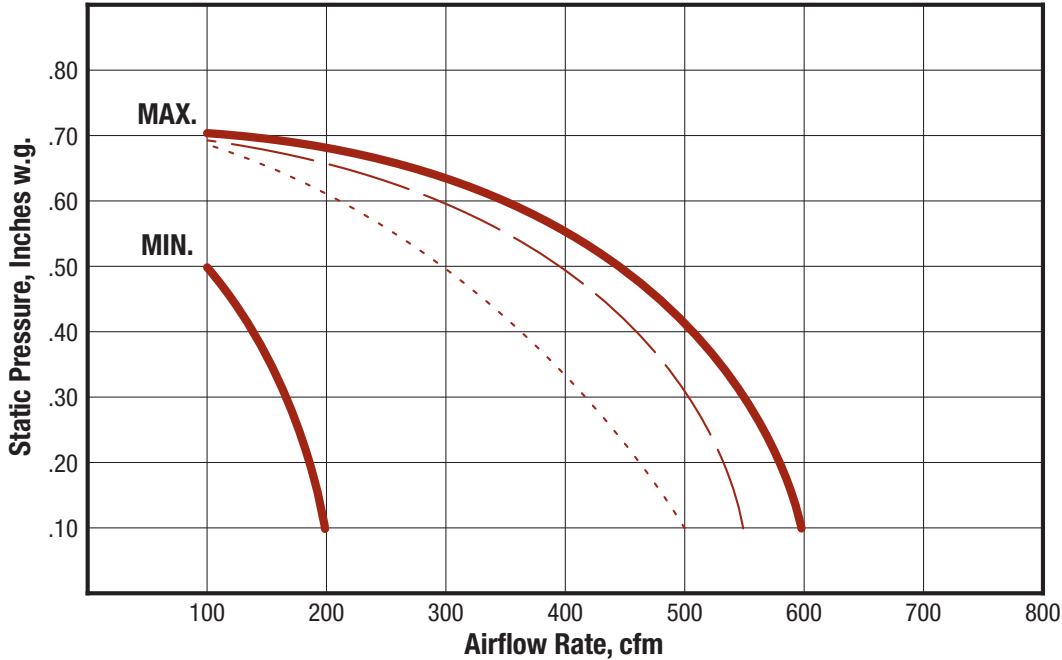
A fan powered terminal unit should never be operated if the downstream ductwork has not been installed. A minimum of 0.10 in. w.g. downstream static pressure resistance is required for safe operation of the recirculating fan motor. Terminals with electric heater require 0.20 in. w.g. downstream static to safely operate heater controls.

Please Note: Price cannot warrant against unauthorized operation under conditions as outlined on this page.

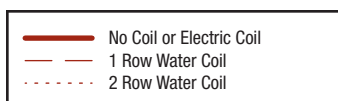
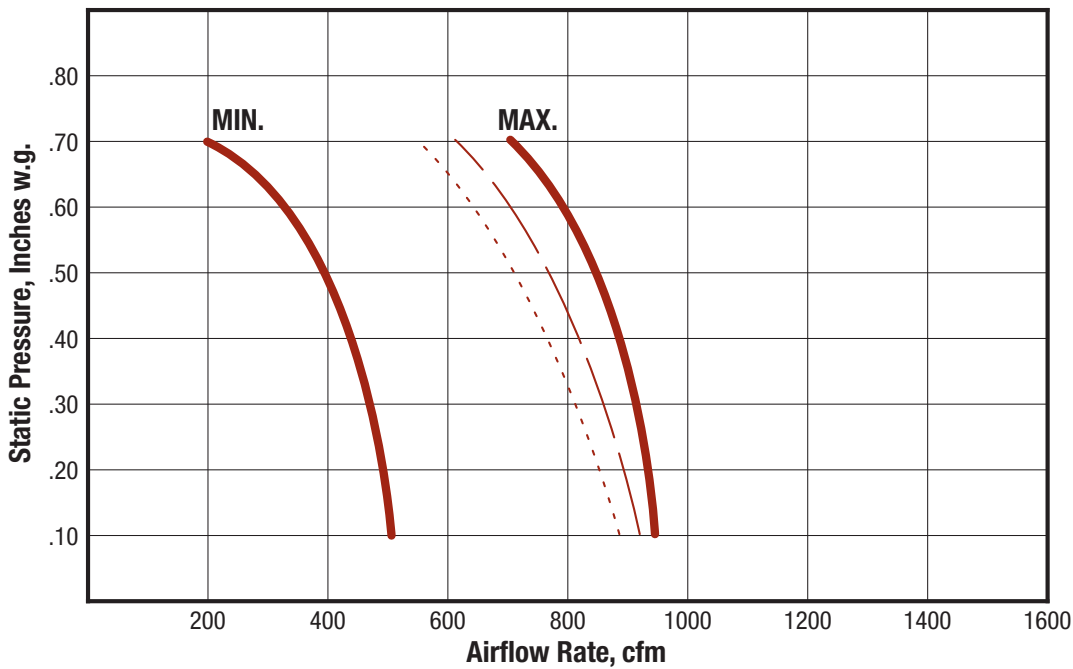
PERFORMANCE DATA

FDV with Low Profile Construction (FDVLP) with PSC
 – Fan Performance Curves

Unit Size 20



Unit Size 30

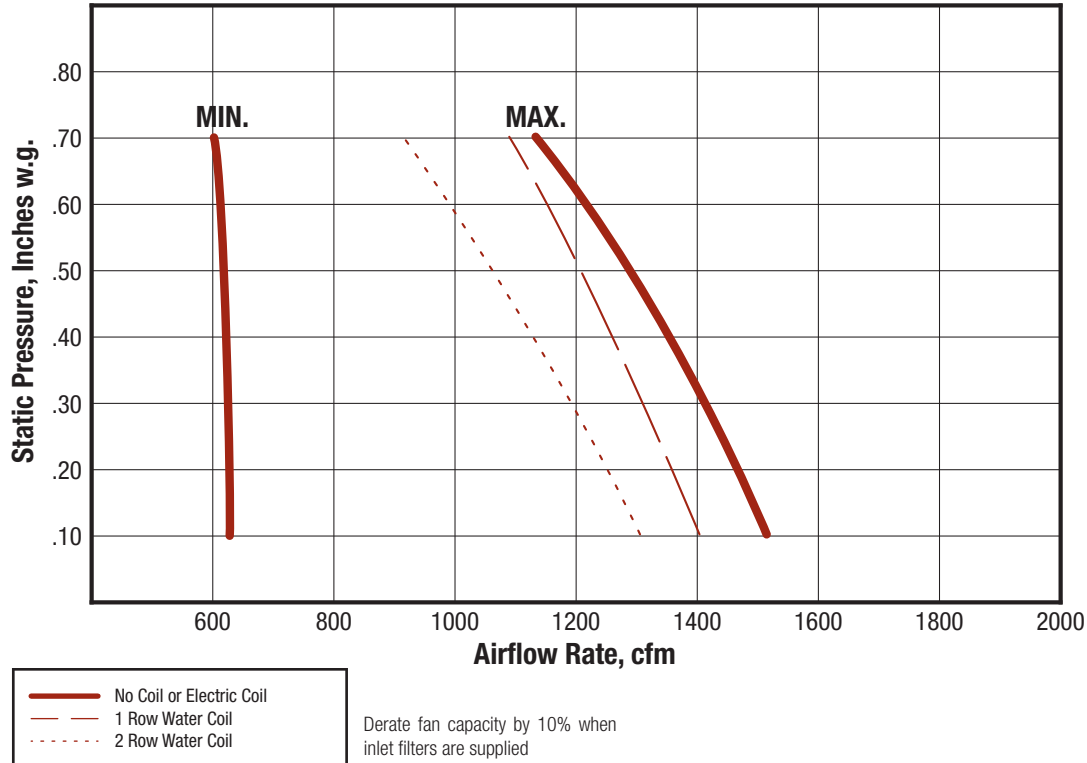


Derate fan capacity by 10% when inlet filters are supplied

PERFORMANCE DATA

FDV with Low Profile Construction (FDVLP) with PSC – Fan Performance Curves

Unit Size 40



Note: Data obtained in accordance with AHRI Standard 880-2017.

Caution to Contractors

Fan powered terminal units are not intended for use as temporary heat or ventilation during building construction. The terminal units are not designed nor equipped to operate in a dusty construction environment. Recirculating fan wheels can become coated with construction dust, resulting in an unbalanced wheel. This in turn can contribute to reduced motor life. Inlet air filters would provide little protection as they would quickly become plugged with construction dust.

A fan powered terminal unit should never be operated if the downstream ductwork has not been installed. A minimum of 0.10 in. w.g. downstream static pressure resistance is required for safe operation of the recirculating fan motor. Terminals with electric heater require 0.20 in. w.g. downstream static to safely operate heater controls

Please Note: Price cannot warrant against unauthorized operation under conditions as outlined on this page.

Recommended Air Volume Ranges

Digital Controls

Unit Size	cfm Min.	cfm Max.
6	66	450
8	132	800
14 x 8	310	2100
14 x 10	400	2700

Notes:

Factory calibrated controls must be selected within the above flow range limits. A minimum value of zero is also available.

The maximum flow setting of the controller must be equal to or less than the selected capacity of the recirculating fan.

On controls mounted by Price but supplied by others, the air volume ranges are guidelines only.

Selection of airflow limits below the listed values is not recommended. Stability and accuracy may not be acceptable at lower than recommended airflow limits. The actual performance will vary depending on the terminal unit controls supplied.

Minimum airflow limit is based on min .02 in. w.g. differential pressure signal from airflow sensor. Selection of airflow limits below the listed values is not recommended. Stability and accuracy may not be acceptable at lower than recommended airflow limits. The actual performance will vary depending on the terminal unit controls supplied. Maximum airflow limit is based on max 1.0 in. w.g. differential pressure signal from airflow sensor.

PERFORMANCE DATA



FDV with Low Profile Construction (FDVLP) – AHRI Certification Rating Points

Unit Size	(1) Primary Airflow		(2) Fan Airflow		(3) Power Input	(4) Minimum Operating Pressure		Discharge Sound Power Level, dB											
								(5) Fan only					(6) 100% Primary air Valve Flow at 1.5 in. w.g. [375 Pa]						
	L/s		cfm		Watts	Pa	in. Water	Octave Band					Octave Band						
	L/s	cfm	L/s	cfm	Watts	Pa	in. Water	2	3	4	5	6	7	2	3	4	5	6	7
2006	189	400	236	500	240	17	0.07	71	64	58	58	50	47	71	68	57	54	47	43
2008	330	700	236	500	240	12	0.05	71	64	58	58	50	47	75	70	62	59	52	47
30 14x8	732	1550	425	900	450	57	0.23	76	65	64	64	57	54	76	70	65	62	55	48
40 14x10	908	1925	661	1400	650	37	0.15	79	69	70	71	66	63	77	71	66	63	56	51

Unit Size	(1) Primary Airflow		(2) Fan Airflow		(3) Power Input	(4) Minimum Operating Pressure		Radiated Sound Power Level, dB											
								(5) Fan only					(6) 100% Primary air Valve Flow at 1.5 in. w.g. [375 Pa]						
	L/s		cfm		Watts	Pa	in. Water	Octave Band					Octave Band						
	L/s	cfm	L/s	cfm	Watts	Pa	in. Water	2	3	4	5	6	7	2	3	4	5	6	7
2006	189	400	236	500	240	17	0.07	65	60	63	62	55	45	60	52	49	44	37	31
2008	330	700	236	500	240	12	0.05	65	60	63	62	55	45	62	55	51	46	39	33
30 14x8	732	1550	425	900	450	57	0.23	71	67	65	64	58	49	69	64	60	56	48	42
40 14x10	908	1925	661	1400	650	37	0.15	71	69	69	65	53	49	69	63	58	53	46	39

Performance Notes:

- Primary cfm is the standard rated air volume for the inlet size listed.
- Fan cfm is maximum rated fan volume at 0.25 in. downstream static pressure.
- Input watts is the maximum electrical power input at the maximum rated fan volume.
- Min. operating pressure inlet is the minimum operating pressure requirement of the primary air valve at the rated primary cfm.
- Fan only sound power levels are at the maximum rated fan volume.
- 100% primary sound power levels at rated primary cfm with fan off.
- Sound power levels include duct end corrections per AHRI Standard 880-2017.

FDVLP Electric Coil Max KW - Single Point Connection

Size	1 Phase					3 Phase	
	120	208	240	277	480	208	480
20	5.4	8.5	8.5	8.5	8.5	8.5	8.5
30	5	9.6	10.8	12.6	13.5	13.5	13.5
40	4.8	9.3	10.7	12.4	21.4	16.1	21.4

FDVLP Electric Coil Max KW - Dual Point Connection

Size	1 Phase					3 Phase	
	120	208	240	277	480	208	480
20	5.7	8.5	8.5	8.5	8.5	8.5	8.5
30	5.7	9.9	11.5	13.2	13.5	13.5	13.5
40	5.7	9.9	11.5	13.2	21.4	17.2	21.4

Notes:

- ETL certified assemblies.
- Minimum kW:
Single Phase = 0.5 kW per stage.
Three Phase = 1.5 kW.
- The recommended limit of 48 Amps may be exceeded. This requires supplemental fusing to meet NEC code requirements. Contact your local Price representative for further details.
- Maximum kW limitations is the lesser of
a) coil selection chart, or
b) minimum air flow requirements of 70 cfm/kW.

PERFORMANCE DATA

FDV with Low Profile Construction (FDVLP) – Typical Selection Guide

Cooling Cycle - 100% Primary

Unit Size	Airflow	Min. ΔPs Across Unit Basic Unit in.w.g.	Discharge NC Basic Unit ΔPs Across Unit			Radiated NC Basic Unit ΔPs Across Unit		
	cfm		0.5 in. w.g.	1.0 in. w.g.	1.5 in. w.g.	0.5 in. w.g.	1.0 in. w.g.	1.5 in. w.g.
2006	200	0.02	--	--	--	--	--	--
	300	0.04	--	--	22	--	--	--
	400	0.07	20	24	27	--	20	23
	500	0.10	24	28	31	20	24	26
2008	400	0.02	--	--	21	--	--	--
	500	0.03	--	22	24	--	--	22
	600	0.04	--	25	27	--	20	24
	700	0.05	22	27	30	--	22	26
30 14x8	800	0.06	22	27	30	--	24	27
	900	0.09	--	--	23	21	26	29
	1200	0.15	--	22	26	24	29	32
	1550	0.23	--	25	29	27	32	35
40 14x10	1800	0.29	21	27	31	28	34	37
	2100	0.38	22	29	33	30	35	39
	1500	0.09	--	24	27	22	27	31
	1800	0.13	--	26	30	24	29	33
40 14x10	1925	0.15	20	27	31	25	30	34
	2400	0.20	23	29	33	28	33	37
	2700	0.25	24	31	35	29	35	39

Performance Notes:

1. NCs are derived from sound power levels, which are obtained in accordance with AHRI Standard 880-2017 and ASHRAE Standard 130-2016.
2. NCs are derived from sound power levels which include duct end corrections per AHRI Standard 880 -2017.
3. Blank spaces (--) indicate NCs less than 20.
4. ΔPs is the difference in static pressure from inlet to discharge of the unit.
5. ΔPt is the difference in total pressure from inlet to discharge of the unit.
6. Min. ΔPs is the minimum static pressure required to achieve rated airflow.
7. Fan external static pressure is 63 Pa (0.25 in.w.g) in all cases.
8. NC values are calculated based on typical attenuation values outlined in Appendix E, AHRI Standard 885- 2008, "A Procedure for Estimating Occupied Space Sound Levels in the Application of Air Terminals and Air Outlets."

**Typical Attenuation Values:
Radiated Sound**

Total Deduction	Octave Band Mid Frequency, Hz.					
	125	250	500	1000	2000	4000
All Sizes	18	19	20	26	31	36

Discharge Sound

Total Deduction	Octave Band Mid Frequency, Hz.					
	125	250	500	1000	2000	4000
< 300 cfm	24	28	39	53	59	40
300 – 700 cfm	27	29	40	51	53	39
> 700 cfm	29	30	41	51	52	39

Heating Cycle - Fan Only

Unit Size	Airflow	Discharge	Radiated
	cfm	NC	NC
20	200	—	35
	300	—	36
	400	23	37
	500	26	38
30	300	—	34
	400	21	35
	500	24	37
	600	26	38
	700	28	39
	800	27	40
40	900	29	40
	600	23	33
	700	25	35
	800	24	37
	900	26	39
	1000	27	40
	1100	29	41
	1200	30	43
1300	31	44	
1400	32	45	

Performance Notes:

1. NCs are derived from sound power levels, which are obtained in accordance with AHRI Standard 880-2017 and ASHRAE Standard 130-2016.
2. NCs are derived from sound power levels which include duct end corrections per AHRI Standard 880 -2017. Please refer to the Engineering Guide for more details.
3. Blank spaces (--) indicate NCs less than 20.
4. Fan external static pressure is 63 Pa (0.25 in.w.g) in all cases.
5. NC values are calculated based on typical attenuation values outlined in Appendix E, AHRI Standard 885- 2008, "A Procedure for Estimating Occupied Space Sound Levels in the Application of Air Terminals and Air Outlets."

**Typical Attenuation Values:
Radiated Sound**

Total Deduction	Octave Band Mid Frequency, Hz.					
	125	250	500	1000	2000	4000
All Sizes	18	19	20	26	31	36

Discharge Sound

Total Deduction	Octave Band Mid Frequency, Hz.					
	125	250	500	1000	2000	4000
< 300 cfm	24	28	39	53	59	40
300 – 700 cfm	27	29	40	51	53	39
> 700 cfm	29	30	41	51	52	39

PERFORMANCE DATA



FDV with Low Profile Construction (FDVLP) – Discharge Sound Data

Cooling Cycle – 100% Primary

Unit Size	Airflow cfm	Sound Power Levels Lw dB re 10 ⁻¹² Watts																	
		0.5 in. w.g. Octave Band						1.0 in. w.g. Octave Band						1.5 in. w.g. Octave Band					
		2	3	4	5	6	7	2	3	4	5	6	7	2	3	4	5	6	7
2006	200	55	52	40	39	32	25	59	55	45	44	38	32	61	57	48	48	41	37
	300	61	58	45	42	35	28	65	61	50	48	41	36	67	63	53	51	45	40
	400	65	62	49	45	38	31	69	66	54	50	44	39	71	68	57	54	47	43
	500	68	65	52	47	40	33	72	69	57	52	46	41	74	71	59	56	49	45
2008	400	62	55	46	44	37	31	65	59	52	50	43	38	68	61	55	54	47	42
	500	65	58	49	46	40	33	68	62	54	52	45	40	71	65	58	56	49	44
	600	67	61	51	48	42	35	71	65	57	54	47	42	73	67	60	57	51	46
	700	69	63	53	49	43	37	73	67	59	55	49	43	75	70	62	59	52	47
30 14x8	900	63	56	51	46	41	32	68	62	57	53	47	39	71	65	60	57	51	43
	1200	66	59	54	49	43	34	71	65	59	56	49	41	74	68	63	59	53	45
	1550	68	61	56	52	45	36	73	67	61	58	51	43	76	70	65	62	55	48
	1800	70	62	57	53	46	38	75	68	63	59	53	45	78	72	66	63	56	49
40 14x10	2100	71	64	58	55	47	39	76	70	64	61	54	46	79	73	67	65	58	50
	1500	67	61	55	51	44	39	72	66	60	57	50	45	75	69	63	60	53	49
	1800	69	62	57	53	46	41	74	68	62	59	52	47	77	71	65	62	55	51
	1925	69	63	58	54	47	41	74	68	63	59	52	48	77	71	66	63	56	51
2400	71	65	60	56	49	44	77	70	65	62	55	50	80	74	68	65	58	54	
	2700	73	66	61	58	50	45	78	72	66	63	56	51	81	75	69	67	59	55

Performance Notes:

1. Test data obtained in accordance with AHRI Standard 880-2017 and ASHRAE Standard 130-2016.
2. Sound power levels include duct end corrections per AHRI Standard 880-2017.
3. Fan external static pressure is 63 Pa (0.25 in.w.g.) in all cases.
4. AHRI certified data is highlighted in blue. All other data are application ratings.
5. Application ratings are outside the scope of the AHRI 880 Certification Program.

FDV with Low Profile Construction (FDVLP) – Radiated Sound Data

Cooling Cycle – 100% Primary

Unit Size	Airflow cfm	Sound Power Levels Lw dB re 10 ⁻¹² Watts																	
		0.5 in. w.g. Octave Band						1.0 in. w.g. Octave Band						1.5 in. w.g. Octave Band					
		2	3	4	5	6	7	2	3	4	5	6	7	2	3	4	5	6	7
2006	200	46	37	34	29	21	17	49	40	39	34	27	23	51	42	41	37	31	26
	300	52	43	39	33	25	18	54	46	43	38	31	25	56	48	46	41	34	29
	400	55	47	42	36	28	20	58	50	46	41	34	27	60	52	49	44	37	31
	500	58	50	44	38	30	22	61	53	49	43	36	28	63	55	51	46	39	32
2008	400	49	40	37	32	25	17	52	45	43	37	30	25	55	47	46	40	34	29
	500	52	43	39	34	27	19	55	48	45	39	32	26	57	50	48	43	36	30
	600	54	45	41	35	29	20	58	50	47	41	34	27	60	53	50	44	37	32
	700	56	47	42	37	30	21	60	52	48	42	35	28	62	55	51	46	39	33
30 14x8	800	58	49	44	38	31	22	62	54	49	44	37	29	64	57	53	47	40	34
	900	55	51	47	41	34	27	60	56	52	47	41	35	63	59	54	51	45	39
	1200	58	53	50	44	36	29	63	59	55	50	42	37	66	62	57	54	46	41
	1550	61	55	52	46	37	30	66	61	57	53	44	38	69	64	60	56	48	42
40 14x10	1800	62	57	54	48	38	31	67	62	59	54	45	39	70	65	62	58	49	43
	2100	64	58	56	49	39	32	69	63	60	55	45	40	72	67	63	59	49	44
	1500	58	51	48	41	34	25	64	57	53	47	40	33	67	60	55	50	44	37
	1800	60	53	50	42	36	27	65	59	55	48	42	34	69	62	57	52	45	39
1925	61	54	51	43	36	27	66	59	55	49	42	35	69	63	58	53	46	39	
	2400	63	57	53	45	38	29	68	62	58	51	44	37	71	65	60	55	48	41
2700	64	58	55	47	39	30	70	63	59	52	45	38	73	66	62	56	49	42	

Performance Notes:

1. Test data obtained in accordance with AHRI Standard 880-2017 and ASHRAE Standard 130-2016.
2. Sound power levels include duct end corrections per AHRI Standard 880-2017.
3. Fan external static pressure is 63 Pa (0.25 in.w.g.) in all cases.
4. AHRI certified data is highlighted in blue. All other data are application ratings.
5. Application ratings are outside the scope of the AHRI 880 Certification Program.

FDV

Parallel Flow Fan Powered Terminal Unit

PERFORMANCE DATA



FDV with Low Profile Construction (FDVLP) – Discharge & Radiated Sound Power Levels

Heating Cycle – Fan Only

Unit Size	Airflow	Sound Power Levels Lw dB re 10 ⁻¹² Watts											
		Discharge Sound Data						Radiated Sound Data					
		Octave Band						Octave Band					
cfm	2	3	4	5	6	7	2	3	4	5	6	7	
2006	200	63	57	49	48	39	31	59	57	60	57	50	37
	300	67	60	53	53	44	38	62	58	61	59	52	40
	400	69	62	56	56	47	43	63	59	62	61	54	43
	500	71	64	58	58	50	47	65	60	63	62	55	45
2008	200	63	57	49	48	39	31	59	57	60	57	50	37
	300	67	60	53	53	44	38	62	58	61	59	52	40
	400	69	62	56	56	47	43	63	59	62	61	54	43
	500	71	64	58	58	50	47	65	60	63	62	55	45
30 14x8	300	65	55	53	52	45	36	60	59	59	54	47	36
	400	68	58	56	55	48	41	63	61	60	57	50	40
	500	70	60	58	57	51	44	66	63	62	59	52	42
	600	72	61	60	59	53	47	67	64	63	60	54	45
	700	73	63	62	61	54	50	69	65	63	61	56	46
	800	75	64	63	62	56	52	70	66	64	63	57	48
40 14x10	900	76	65	64	64	57	54	71	67	65	64	58	49
	600	69	57	58	57	49	43	59	60	58	49	40	35
	700	71	59	60	60	53	46	61	61	60	52	42	38
	800	72	61	62	62	55	50	63	63	62	54	44	40
	900	74	63	64	64	58	52	65	64	63	57	46	42
	1000	75	64	65	66	60	55	66	65	65	59	48	43
	1100	76	65	67	67	62	57	68	66	66	60	49	45
	1200	77	67	68	69	63	59	69	67	67	62	50	47
1300	78	68	69	70	65	61	70	68	68	63	52	48	
1400	79	69	70	71	66	63	71	69	69	65	53	49	

Performance Notes:

1. Test data obtained in accordance with AHRI Standard 880-2017 and ASHRAE Standard 130-2016.
2. Sound power levels include duct end corrections per AHRI Standard 880-2017.
3. Fan external static pressure is 63 Pa (0.25 in.w.g.) in all cases.
4. AHRI certified data is highlighted in blue. All other data are application ratings.
5. Application ratings are outside the scope of the AHRI 880 Certification Program.

PERFORMANCE DATA



FDV with Low Profile Construction (FDVLP) – 1 and 2 Row Hot Water Coil Data

Size 20 Standard Capacity

Rows	Coil (gpm)	HD Loss	Airflow Rate (cfm)							
			250	300	350	400	450	500	550	600
1 Row Multi Circuit	0.5	0.21	7.4	7.8	8.2	8.5	8.8	9.0	9.3	9.4
	1	0.73	9.3	10.0	10.6	11.2	11.6	12.1	12.4	12.8
	2	2.53	10.5	11.5	12.3	13.1	13.7	14.3	14.9	15.4
	3	5.25	11.1	12.2	13.1	14.0	14.7	15.4	16.0	16.6
	Through the Coil, ΔPs		0.05	0.07	0.09	0.11	0.13	0.15	0.18	0.21
2 Row Multi Circuit	1	0.17	15.4	16.8	18.0	19.0	19.9	20.6	21.3	21.9
	2	0.60	17.6	19.6	21.3	22.8	24.1	25.3	26.4	27.4
	4	2.10	18.8	21.1	23.1	24.9	26.6	28.1	29.5	30.7
	6	4.39	19.3	21.7	23.9	25.9	27.7	29.3	30.8	32.2
	Through the Coil, ΔPs		0.11	0.15	0.19	0.24	0.29	0.35	0.40	0.47

Size 30 Standard Capacity

Rows	Coil (gpm)	HD Loss	Airflow Rate (cfm)							
			500	550	600	650	700	750	800	900
1 Row Multi Circuit	0.5	0.25	10.4	10.6	10.8	11.0	11.2	11.3	11.5	11.7
	1	0.84	14.7	15.2	15.6	16.0	16.3	16.7	17.0	17.5
	2	2.90	18.4	19.2	19.9	20.5	21.1	21.6	22.1	23.0
	3	6.03	20.2	21.1	22.0	22.7	23.5	24.1	24.8	25.9
	Through the Coil, ΔPs		0.07	0.08	0.09	0.10	0.12	0.13	0.14	0.18
2 Row Multi Circuit	1	0.21	23.9	24.7	25.4	26.0	26.6	27.1	27.6	28.5
	2	0.71	30.6	32.0	33.3	34.5	35.6	36.7	37.6	39.3
	4	2.48	34.9	36.9	38.7	40.4	42.0	43.5	44.9	47.5
	6	5.18	36.7	38.9	41.0	43.0	44.8	46.5	48.2	51.2
	Through the Coil, ΔPs		0.15	0.17	0.20	0.23	0.26	0.29	0.32	0.39

Size 40 Standard Capacity

Rows	Coil (gpm)	HD Loss	Airflow Rate (cfm)							
			800	850	900	950	1000	1100	1200	1300
1 Row Multi Circuit	1	0.20	18.0	18.3	18.6	18.8	19.0	19.5	19.9	20.2
	2	0.67	24.0	24.6	25.1	25.5	26.0	26.8	27.5	28.2
	4	2.34	28.6	29.4	30.1	30.8	31.4	32.6	33.7	34.7
	6	4.86	30.8	31.7	32.5	33.3	34.0	35.4	36.7	37.9
	Through the Coil, ΔPs		0.10	0.11	0.12	0.13	0.15	0.17	0.20	0.22
2 Row Multi Circuit	1	0.25	28.6	29.1	29.5	29.9	30.2	30.8	31.4	31.9
	2	0.87	39.6	40.6	41.4	42.3	43.0	44.4	45.7	46.8
	4	3.03	47.9	49.4	50.8	52.1	53.3	55.6	57.8	59.7
	6	6.33	51.6	53.4	55.0	56.6	58.1	60.9	63.4	65.8
	Through the Coil, ΔPs		0.22	0.25	0.27	0.29	0.32	0.38	0.43	0.49

Performance Notes:

1. Tabulated values are in MBH (thousands of Btu per hour).
2. Minimum air and water flow values are based on ASHRAE recommendations for coil selection. For selections outside these tabulated air or water flow values, please consult your Price representatives.
3. Do not select coils for a leaving air temperature above 120 °F.
4. HD (Head) Loss is in ft of water.
5. Through the Coil APD is the pressure drop in in. of water across the coil.
6. For fan capacity with coils, see fan curves.
7. Air Temperature rise = ATR,
ATR(°F) = 927 x MBH/cfm.
8. Water Temperature Drop = WTD,
WTD(°F) = 2.04 x MBH/gpm.
9. Values in tables are listed for 0 ft of altitude and no glycol in the system.
10. Heating coils used in this unit have performance rated and certified in accordance with the current edition of AHRI Standard 410.
11. Connections:
Single Circuit – 1/2 in. OD male solder.
Multi Circuit – 7/8 in. OD male solder.



Product Improvement is a continuing endeavour at Price. Therefore, specifications are subject to change without notice. Consult your Price Sales Representative for current specifications or more detailed information. Not all products may be available in all geographic areas. All goods described in this document are warranted as described in the Limited Warranty shown at priceindustries.com. The complete Price product catalog can be viewed online at priceindustries.com.